

THE CITY OF NAPO.
BUILDING & ZONING DEPART
255 W. RIVERVIEW
(419)592-4010

Gina@Archer Signs
330-455-9995
801 N. Perry
Foundation Inspection
SG2009-10

Sign Permit

Permit Number: SG2009-10

ADDRESS:

801 Perry St. N

Applicant

Name: Archer Sign Corp
Address: 1917 Henry Ave SW

Approval Date: 10/30/2009
330-455-9995

Owners

Contractors

Contractor Type: Sign

Name: Archer Sign Corp
Address: 1917 Henry Ave SW

Canton, OH 44706

Phone: 330-455-9995

Fees and Receipts:

Number	Description	Amount
FEE2009-619	Sign (Auto)	\$38.00
Total Fees:		\$38.00
RCPT2009-405		\$38.00
Total Receipts:		\$38.00

sign on post

APPLICANTS SIGNATURE: _____ **DATE:** _____

REMINDER: YOU MUST CALL (419)592-4010 FOR AN INSPECTION

SG 2009-10



CITY OF NAPOLEON
BUILDING & ZONING DEPARTMENT
255 W. Riverview Avenue, PO Box 151, Napoleon, OH 43545
Phone: 419-592-4010 - Fax: 419-599-8393

APPLICATION FOR SIGN PERMIT

LOCATION OF PROPERTY: 801 NORTH PERRY NAPOLEON, OH 43545

OWNER NAME: PNC FINANCIAL SVCS. PHONE: (570) 961-7175

OWNER ADDRESS: P.O. BOX 231 SCRANTON, PA 18501

CONTRACTOR NAME: ARCHER SIGN CORP. PHONE: (330) 455-9995

IS CONTRACTOR REGISTERED WITH THE CITY OF NAPOLEON? YES NO

SIGN INFORMATION

35.00

TYPE: POST WALL GROUND AWNING

DIMENSIONS: 3'-6" x 12'-1 3/4" x 3'-5" x 2'-6" = TOTAL S.F. 42.58 + 3.12 = 45.70 ^{sq}

** PLEASE INCLUDE ANY AND ALL SITE PLANS AND PLANS OF ABOVE SIGNS.

FEES

\$35.00 BASE UP TO 50 S.F. OF SIGN, PLUS \$0.20 PER ADDITIONAL S.F., NOT TO EXCEED \$150.00

\$5.00 FLAT FEE FOR TEMPORARY SIGNS, TEMPORARY SPECIAL EVENT SIGNS, AND PORTABLE SIGNS OTHER THAN THOSE EXEMPT FROM FEE. (SEE BELOW)

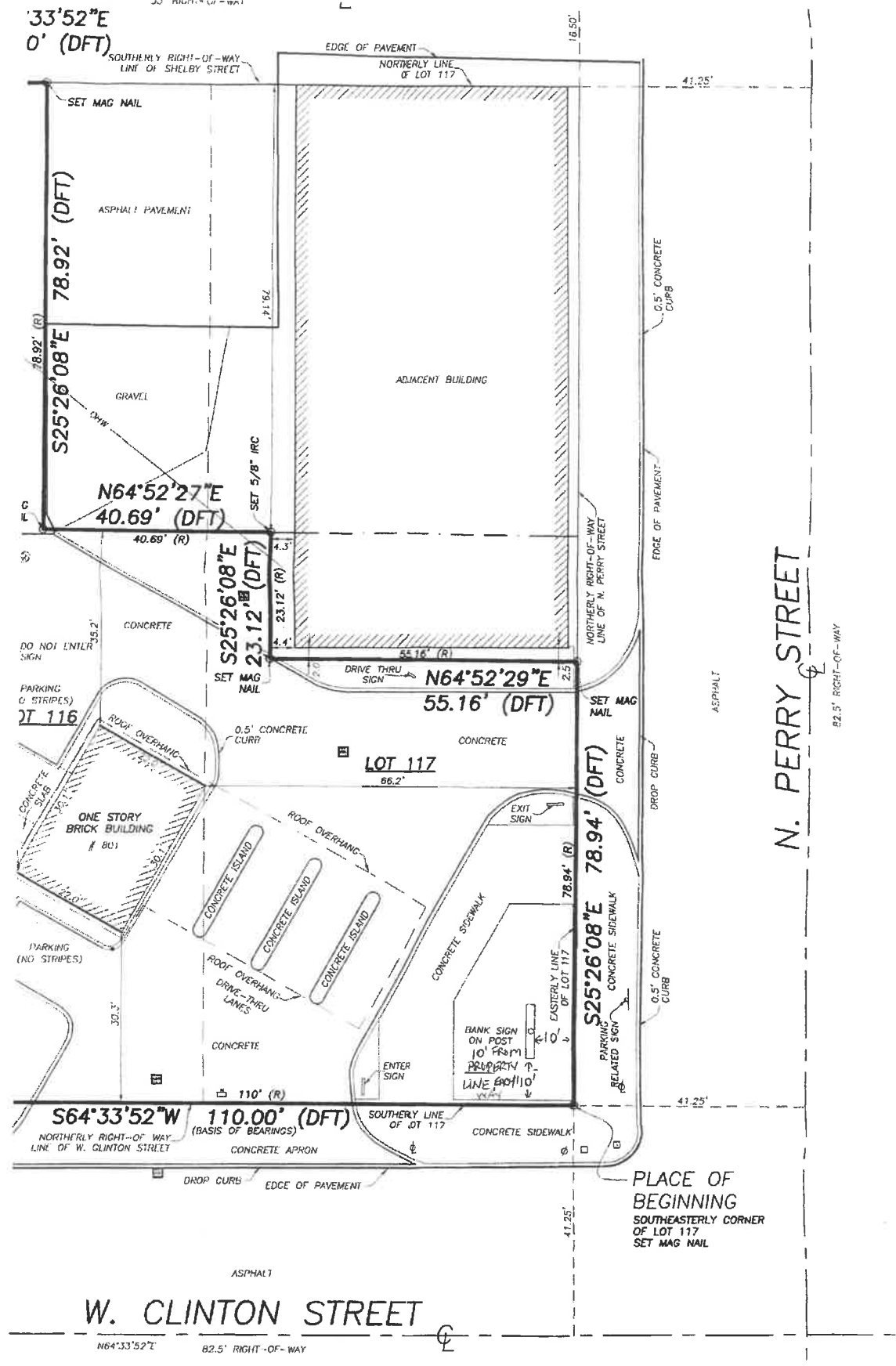
NO FEE REQUIRED FOR TEMPORARY AND EASILY REMOVABLE 1ST AMENDMENT SIGNS, OR SIGNS RELATED TO RELIGIOUS OR CHARITABLE CAUSES OR EVENTS.

Joe Scambroff
APPLICANTS SIGNATURE

9/25/09
DATE

⓪

⓪





Action Log Off Add Favorite

002206 / 0012018412 / B403_DI / 002206 / Napoleon Drive-Thru / 801 North Perry / Napoleon, OH 43545 SITE PLANS: EXTERIOR [Status Page](#)

Recommendations

Exterior Signs

P	No	Type
<input type="checkbox"/>	P001	P-50-H
<input type="checkbox"/>	V001	V-3B
<input type="checkbox"/>	W001	D-3-NL-EN-UB
<input type="checkbox"/>	W002	D-3-NL-EX-UB
<input type="checkbox"/>	W003	Custom
<input type="checkbox"/>	W004	Remove
<input type="checkbox"/>	W005	RW-3a-1L
<input type="checkbox"/>	W006	Leave
<input type="checkbox"/>	W007	Leave

Atm Machines

P	Term Id	Type
<input type="checkbox"/>	ATM1	SB-198-MF-COMBO



NATIONAL CITY CONVERSION

Category	Found Exterior Sign
Sign Number	P001
Existing Sign Type	Pylon
Face Material	Formed Plastic
Construction	Vinyl
Height Above Grade	202" Est
Face Height	54" Est
Face Width	120" Est
Depth	16" Est
Illuminated	Internally Illuminated
Electrical	Power less than 8'-0

NATIONAL CITY CONVERSION

Category	Exterior Signs
Sign Number	P001
Sign Type	P-50-H
Action Code	Remove & Replace
Description	Horizontal Pylon - 42.5 sq. ft.
Face Height	3'-6"
Face Width	12'-1 3/4"
Overall Height	18'-0"
Illuminated	Yes
Message A	
Message B	
Comments	Code max: 100sf / 25ft OAH. (sf = 1.5 sf / ft property frontage)
Restoration Notes	Perform utility locates and verify setbacks prior to fabrication / installation. Install new signage using existing primary electrical. Verify if additional circuits are required for new sign. Restore ground material to base of new sign. See control documents for product specification and master agreement for removal & installation requirements.

ISSUES
COMMENTS

Information

Recommendations

Site Plans

Photos

Projects

Reports

Documentation

Site Search



Action Log Off Add Favorite

002206 / 0012018412 / B403_DI / 002206 / Napoleon Drive-Thru / 801 North Perry / Napoleon, OH 43545 SITE PLANS: EXTERIOR [Status Page](#)

Recommendations

Exterior Signs

P	No	Type
<input type="checkbox"/>	P001	P-50-H
<input type="checkbox"/>	V001	V-3B
<input type="checkbox"/>	W001	D-3-NL-EN-UB
<input type="checkbox"/>	W002	D-3-NL-EX-UB
<input type="checkbox"/>	W003	Custom
<input type="checkbox"/>	W004	Remove
<input type="checkbox"/>	W005	RW-3a-IL
<input type="checkbox"/>	W006	Leave
<input type="checkbox"/>	W007	Leave

Atm Machines

P	Term Id	Type
<input type="checkbox"/>	ATM1	SB-198-MF-COMBO



NATIONAL CITY CONVERSION

Category	Found Exterior Sign
Sign Number	P001
Existing Sign Type	Pylon
Face Material	Formed Plastic
Construction	Vinyl
Height Above Grade	202" Est
Face Height	54" Est
Face Width	120" Est
Depth	16" Est
Illuminated	Internally Illuminated
Electrical	Power less than 8'-0

NATIONAL CITY CONVERSION

Category	Exterior Signs
Sign Number	P001
Sign Type	P-50-H
Action Code	Remove & Replace
Description	Horizontal Pylon - 42.5 sq. ft.
Face Height	3'-6"
Face Width	12'-1 3/4"
Overall Height	18'-0"
Illuminated	Yes
Message A	
Message B	
Comments	Code max: 100sf / 25ft OAH. (sf = 1.5 sf / ft property frontage)
Restoration Notes	Perform utility locates and verify setbacks prior to fabrication / installation. Install new signage using existing primary electrical. Verify if additional circuits are required for new sign. Restore ground material to base of new sign. See control documents for product specification and master agreement for removal & installation requirements.

ISSUES
COMMENTS

- Information
- Recommendations
- Site Plans
- Photos
- Projects
- Reports
- Documentation
- Site Search



Archer Sign
CORPORATION

September 25, 2009

RE: PNC Mortgage 701 North Perry
Napoleon, OH 43545

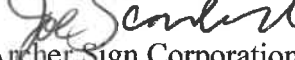
RE: PNC Mortgage 801 North Perry
Napoleon, OH 43545

Please accept these (2) copies of plans for the changeovers at these locations. I have Filled out two seperate applications. If there is anything else needed, please contact me @ (330) 455-9995 x117 office or (330) 623-0638 cell phone with the amount for the permit.

Thank you,

Joe Scarbrough

Project Coordinator


Archer Sign Corporation
1917 Henry Ave SW
Canton, OH 44706

EnCon Services, Inc.

Sign Design Calculations

Job Description
 PNC Bank
 801 North Perry
 Napoleon, Ohio
 P-50 Standard 18'-0" OAH
 Design per 2007 Ohio Building Code
 ASCE 7-05

PREPARED BY: EnCon Services, Inc.
 2272 Jaudon Road
 Dover, FL 33527
 813-655-3373
 F 813-655-9814

Aaron Biedenbach, P.E.
 FL PE #52949, FL EB 9394
 OH PE 60756, OC #01893
 KY PE #20281, P #2463
 IN PE #PE 19600322
 FL CBC #060535, QB #22527

Importance Factor 1
 Kzt 1
 Exposure C
 Kd 1
 Kz 0.88
 V 90 mph
 Cf 1.91
 G 0.85

Sign	Area (sf)	Distance to Center (ft)	Wind Pressure	
			P = Force (lb)	Moment (ft-lb)
Top	42.60	16.75	1262	21137
Middle			0	0
Bottom			0	0
Poles	22.19	8.48	568	4817
			1,830	25,953

Required Sx 10.26 inches cubed per pole
 Provided Sx 26.4 HSS 8"x 8" x3/8" A500 B **OK**

Base Plate Design

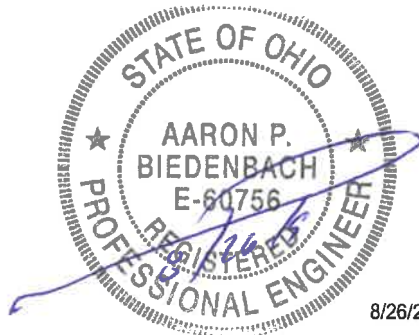
Distance Between Bolts 20
 Number of Bolts per Base Plate 4
 Plate Width B (IN) 24
 Bolt Spacing d (IN) 20
 Diameter of Pole (IN) 11.3

7786 Tension on Bolts (LB)
 Use 1-1/4" Dia. X 42" Long F1554 GR 55 bolts with embedded double nuts
 0.79 Plate thickness (IN)
 Use 1 1/2" A36 Plate

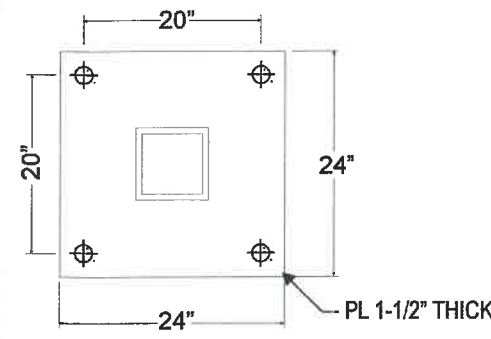
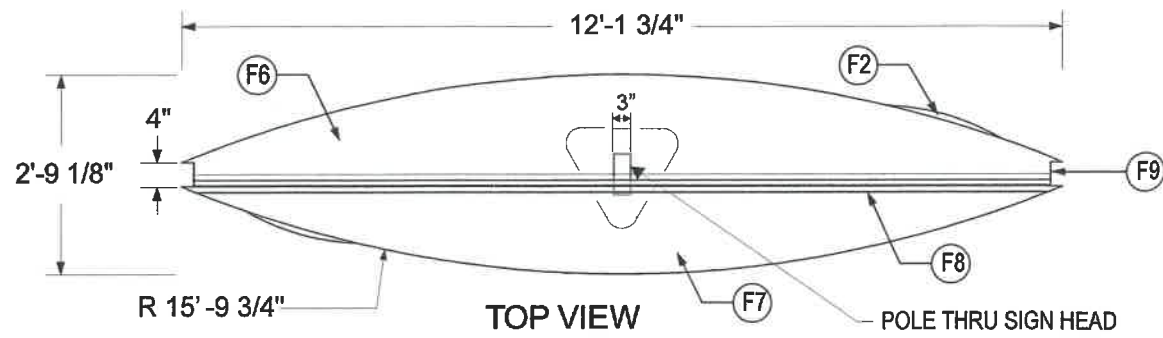
Base Design

Number of Bases 1
 Diagonal B (FT) 3.00
 Lateral soil pressure (LB/SF/FT) 100
 Depth (Estimated) (FT) 8
 S1 711
 Design Depth (FT) 6.66 Ft

Base Size Required
 8.0 FT Deep
 3.0 FT Diameter



PNC BANK
801 NORTH PERRY
NAPOLEAN, OHIO

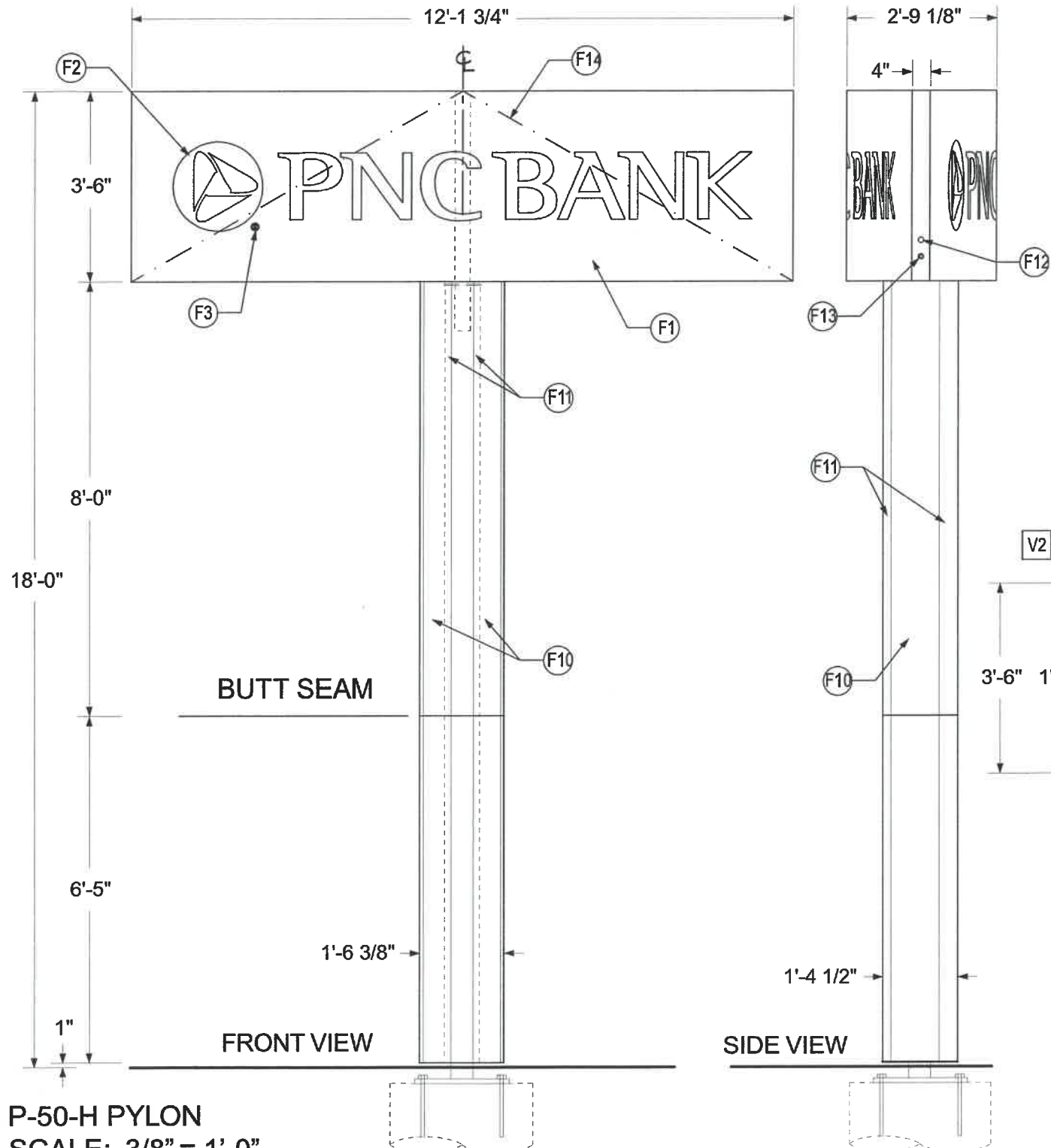


BASE PLATE DETAIL
SCALE: NTS

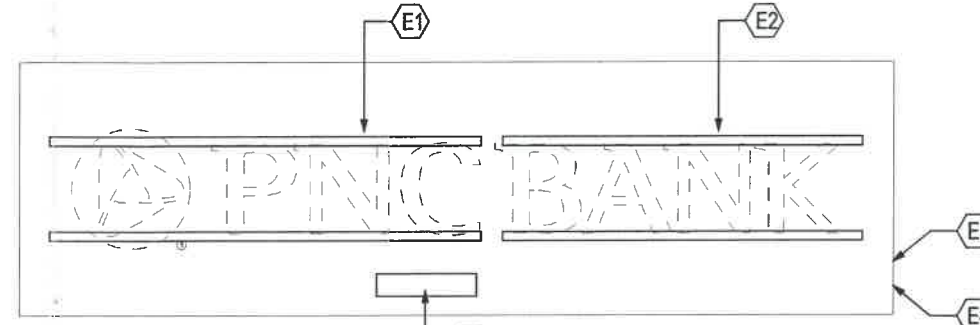
- (F1) FABRICATION NOTES
- (V1) VINYL COLORS
- (P1) PAINT NOTES
- (E1) ELECTRICAL NOTES

GENERAL NOTES:

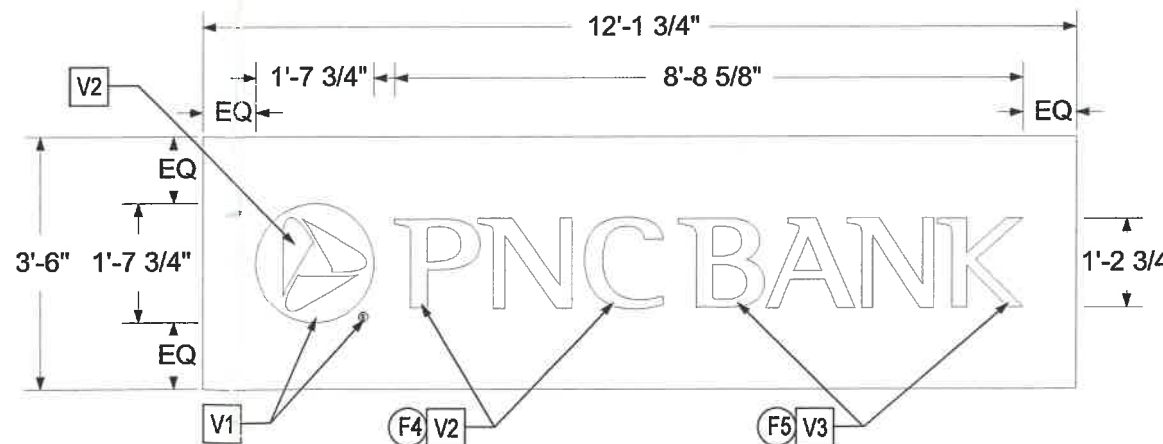
- ALL PAINTS TO BE TWO-PART POLY-URETHANE BY MATTHEWS. SATIN FINISH.
- ALL FILM TO BE ARLON UNLESS OTHERWISE STATED.
- ALL STEEL COMPONENTS TO BE PRIMED WITH ZINC INHIBITOR (DEVCON-Z OR EQUAL)
- ALL ELECTRICAL WORK TO MEET OR EXCEED U. L. REQUIREMENTS.
- ALL EXPOSED FASTENERS TO BE PAINTED TO MATCH CABINET.
- ELECTRICAL LEADS FROM THE BACK OF ILLUMINATED LETTERS TO BE A MINIMUM OF 6'-0" LONG AS MEASURED FROM THE BACK OF THE LETTER



P-50-H PYLON
SCALE: 3/8" = 1'-0"



ELECTRICAL LAYOUT



ELECTRICAL SPECIFICATIONS

PLASTIC SIGN BALLAST-HIGH OUTPUT 600 MA AT 120 VOLT 60 HZ				
BALLAST #	LAMP CURRENT	MAX LINE CURRENT AMPS	MAX INPUT WATTS	OPEN CIRCUIT VOLTAGE
1 ESB432-14	.800	2.34	280	600
X X	X	X	X	X
X X	X	X	X	X
TOTAL		2.34	280	

(1) 20 AMP-120 VOLT CIRCUIT REQUIRED



THIS ARTICLE IS INTENDED TO BE INSTALLED IN ACCORDANCE WITH THE REQUIREMENTS OF ARTICLE 600 OF THE NATIONAL ELECTRICAL CODE AND/OR OTHER APPLICABLE LOCAL CODES. THIS INCLUDES PROPER GROUNDING AND BONDING OF THIS SIGN.

TOTAL SQFT= 42.51'

PART # PNCP-50-H

ESTIMATE # 65504

FABRICATION NOTES

- 1) .125" ROUTED ALUM SIGN FACE. FORM AS SHOWN. ROUT COPY USING ARTWORK PROVIDED BY DESIGNER. PAINT FINISH EXPOSED EXTERIOR SURFACES PNC BLUE SATIN FINISH. PAINT FINISH ALL INTERIOR SURFACES WITH LIGHT ENHANCEMENT PAINT.
- 2) "POWERLINK" SYMBOL TO BE DROP FORMED. .118" CLEAR ACRYLIC (ACRYSTEEL OR APPROVED EQUAL). SECOND SURFACE DECORATE WITH PNC ORANGE TRANSLUCENT FILM, CUT AND DROP IN WHITE DETAIL USING PNC WHITE TRANSLUCENT FILM.
- 3) TRADEMARK REGISTRATION TO BE PNC ORANGE FILM FIRST SURFACE APPLIED. USE ARTWORK PROVIDED BY DESIGNER.
- 4) "PNC" TO BE BACKED WITH .118" CLEAR IMPACT MOD. ACRYLIC (ACRYSTEEL OR APPROVED EQUAL). SECOND SURFACE DECORATE WITH PNC WHITE TRANSLUCENT FILM.
- 5) "BANK" TO BE BACKED UP WITH .118" CLEAR IMPACT MOD. ACRYLIC (ACRYSTEEL OR APPROVED EQUAL). SECOND SURFACE DECORATE WITH PNC LT BLUE TRANSLUCENT FILM.
- 6) .125" ALUM SIGN CABINET RETURNS. FORM AS SHOWN. PAINT FINISH ALL EXPOSED EXTERIOR SURFACES PNC ORANGE SATIN FINISH. PAINT FINISH ALL EXPOSED INTERIOR SURFACES WITH LIGHT ENHANCEMENT PAINT.
- 7) .125" ALUM HINGED FACE RETURN. FORM AS SHOWN. PAINT FINISH ALL EXPOSED EXTERIOR SURFACES PNC ORANGE SATIN FINISH. ATTACH TO OPEN PIANO HINGE ON TOP.
- 8) STAINLESS STEEL 2" OPEN PIANO HINGE CONTINUOUS ACROSS TOP. PAINT FINISH PNC ORANGE SATIN FINISH.
- 9) ALUMINUM CHANNEL REVEAL AT SIDES. SIZE AS SHOWN. PAINT FINISH PNC ORANGE SATIN FINISH. WELD TO .125" ALUM. CABINET RETURNS TOP & BOTTOM.
- 10) .125" ALUM. COLUMN CLADDING. PAINT FINISH PNC SILVER METALLIC SATIN FINISH. VHB TAPE FOR PERMANENT ATTACHMENT TO EXTRUSIONS. MECHANICALLY ATTACH WITH COUNTERSUNK FLATHEAD STAINLESS STEEL SCREWS TO REMOVABLE EXTRUSION. SEE DETAIL.
- 11) SIGNCOMP MONOLITHIC EDGE RADIUS EDGED 60 DEGREE EXTRUSION. SIZE VARIES BY SIGN SIZE. SEE CALL OUTS. PAINT FINISH PNC SILVER METALLIC SATIN FINISH.
- 12) PHOTOCELL REQUIRED TO BE IN REVEAL.
- 13) EMERGENCY DISCONNECT SWITCH AS REQUIRED TO MEET U. L. AND APPLICABLE CODE REQUIREMENTS. SWITCH TO BE BOOTED ALL-WEATHER.
- 14) PROVIDE PROP RODS AS REQUIRED FOR ALL HINGED FACES TO PROVIDE ADEQUATE ACCESS WHILE SERVICING SIGNS.

PAINT COLORS

- 1) BLUE MATTHEWS MP31479
- 2) LIGHT ENHANCEMENT MATTHEWS MP74200SP ZAP WHT
- 3) ORANGE MATTHEWS MP01229
- 4) SILVER METALLIC MATTHEWS MP18101

VINYL COLORS

- 1) ORANGE ARLON 2500-2919
- 2) WHITE ARLON 2500-20
- 3) LT BLUE ARLON 2500-2869

ELECTRICAL NOTES

- 1) F72T12DHO DAYLIGHT FLUORESCENT LAMPS - (2) REQ.
- 2) F60T12DHO DAYLIGHT FLUORESCENT LAMPS - (2) REQ.
- 3) ESB432-14 BALLAST - (1) REQUIRED
- 4) DISCONNECT SWITCH
- 5) PHOTOCELL

ENCON SERVICES, INC.
AARON BIEDENBACH
2272 JAUDON ROAD
DOVER, FL 33527
813-655-3373
OHPE #60756, OC #01893



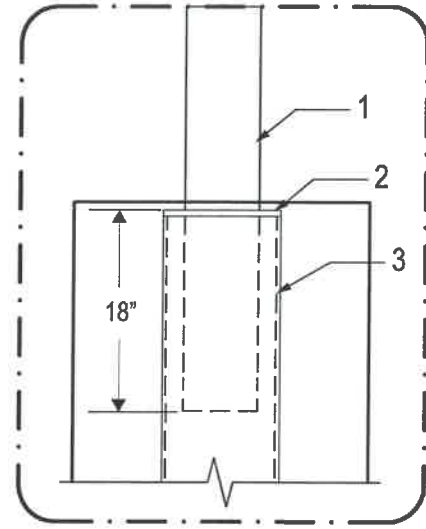
THIS DRAWING IS THE PROPERTY OF THOMAS SIGN & AWNING CO. INC. ALL RIGHTS TO IT'S USE FOR REPRODUCTION ARE RESERVED BY THOMAS SIGN & AWNING CO. INC., CLEARWATER, FL.

CLIENT: PNC BANK
DESIGN NUMBER: P-50-H PYLON
REVISION: REVISED FABRICATION NOTES - DIA - 05/20/09

DATE: 05/19/09
SHEET 1 OF 2
ARTIST: DIA
SALES REP: BH
STATE: X
CITY: X
REVISION: REVISED LAMPING LAYOUT TO MATCH MONIGLE LAMPING - DIA - 08/08/09
REVISION: ADDED SLEEVE UP TO JUST BELOW CABINET, ADDED SPECIFIC BASE PLATE DIMENSIONS. REVISED FOUNDATION - DIA - 08/24/09
REVISION: ADDED BASE PLATE & ANCHOR BOLTS - DIA - 05/21/09

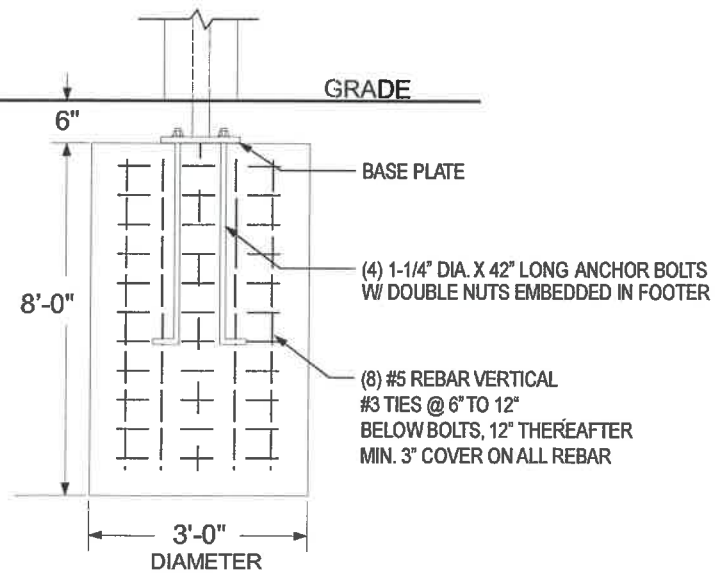
THOMAS SIGN & AWNING COMPANY, INC.
4590 118TH AVENUE NORTH CLEARWATER, FL 33762
800-526-3325 • 727-573-7757 • FAX 727-573-0328

PNC BANK
801 NORTH PERRY
NAPOLEAN, OHIO



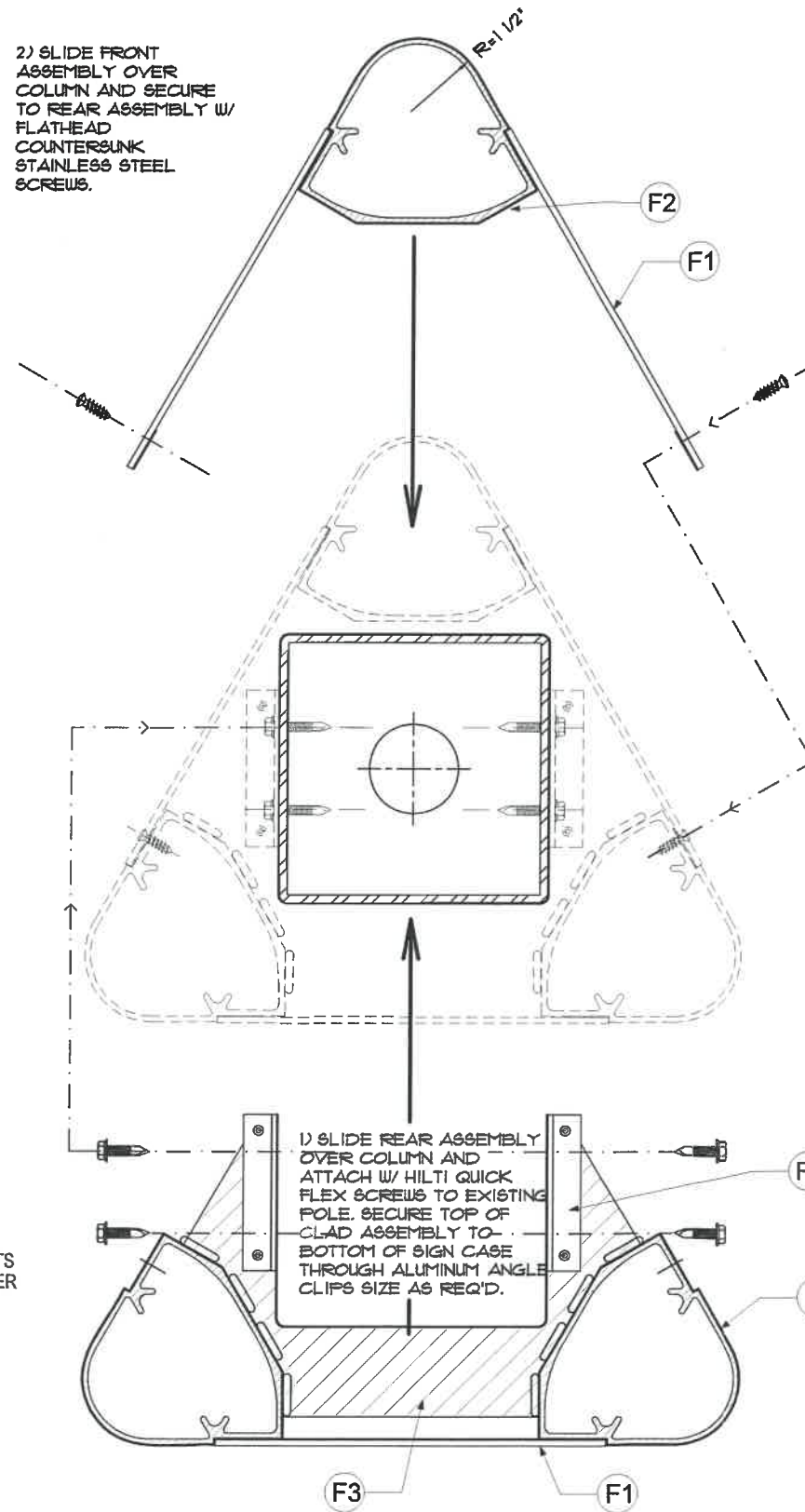
SLEEVE DETAIL

- 1) HSS 7" X 3" X 3/16" STEEL SLEEVE. 1" PLUG WELD AT BOTTOM EACH SIDE.
- 2) 1/2" THICK STEEL PLATE CAP.
- 3) HSS 8" X 8" X 3/8" STEEL SUPPORT COLUMN



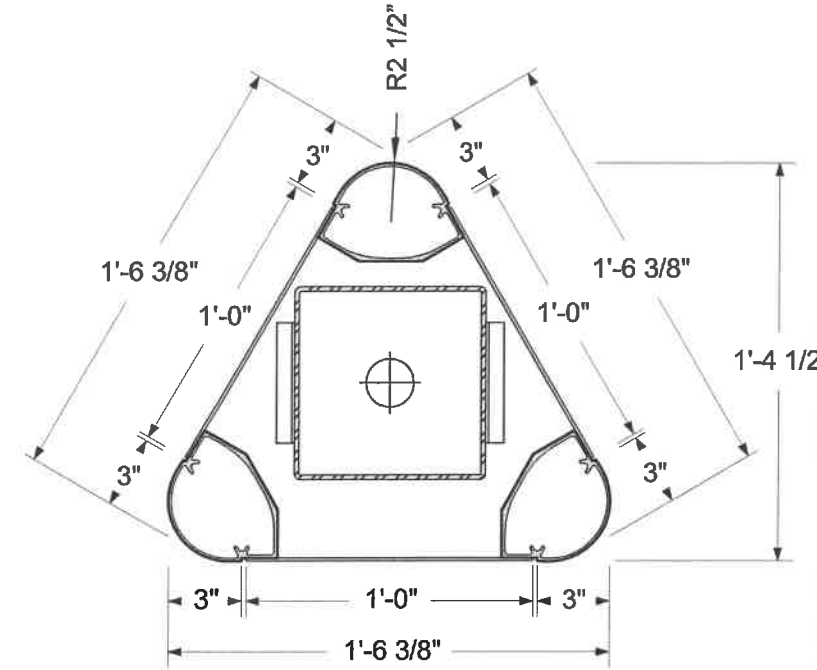
FOUNDATION DETAIL
SCALE: NTS

2) SLIDE FRONT ASSEMBLY OVER COLUMN AND SECURE TO REAR ASSEMBLY W/ FLATHEAD COUNTERSUNK STAINLESS STEEL SCREWS.



P-50-H PYLON CLADDING ASSEMBLY DETAIL
SCALE: NTS

- (F1) FABRICATION NOTES
- (P1) PAINT NOTES
- (V1) VINYL COLORS
- (E1) ELECTRICAL NOTES



SCALE: 1 1/2" = 1'-0"

MATERIALS NOTES:
ALL JOINTS TO BE WELDED ALL AROUND
GRADE A36 STEEL SHAPES
GRADE 6061-T6 ALUMINUM SHAPES
GRADE A500 B STEEL TUBE
GRADE F1554 GR 55 ANCHOR BOLTS
GRADE A325 FASTENER BOLTS
GRADE 60 KSI REBAR

FOUNDATION:
3000 PSI CONCRETE @ 28 DAYS
1500 PSI SOIL BEARING
100 PSF/LF SOIL LATERAL BEARING
UNDISTURBED SOIL

DESIGN PARAMETERS:
2007 OHIO BUILDING CODE
WIND SPEED DATA
1. BASIC WIND SPEED = 90 MPH (3 SEC. GUST)
2. WIND IMPORTANCE FACTOR 1.0
3. WIND EXPOSURE C
4. INTERNAL PRESSURE COEF. N/A
5. COMPONENT AND CLADDING N/A

TOTAL SQFT= 42.51'
PART #
ESTIMATE #
FABRICATION NOTES
1) .125" ALUM. COLUMN CLADDING PAINT FINISH PNC SILVER METALLIC SATIN FINISH. VHB TAPE FOR PERMANENT ATTACHMENT TO EXTRUSIONS MECHANICALLY WITH COUNTERSUNK FLATHEAD STAINLESS STEEL SCREWS TO REMOVABLE EXTRUSION. SEE DETAIL.
2) SIGNCOMP MONOLITHIC EDGE RADIUS EDGED 60 DEGREE EXTRUSION. SIZE VARIES BY SIGN SIZE. SEE CALL OUTS. PAINT FINISH PNC SILVER METALLIC SATIN FINISH.
3) .25" ALUM. RIB FORM AS SHOWN. WELD TO EXTRUSIONS AT BACK OF CLADDING. ROUTE OPENING TO ALLOW FOR STEEL SUPPORT TUBE. SPACE AT 24" O.C. VERTICALLY WELD .125" ANGLES TO RIBS FOR MECHANICAL OR ATTACHMENT TO SUPPORT COLUMN.
4) 3/4"x3/4"x.125" ALUM. ANGLE(S) WELD TO .25" ALUM. RIBS. MECHANICALLY ATTACH TO STEEL COLUMN WITH HILTI QUICK FLEX SCREWS.
PAINT COLORS
1) BLUE MATTHEWS MP31479
2) LIGHT ENHANCEMENT MATTHEWS MP74200SP ZAP WHT
3) ORANGE MATTHEWS MP01229
4) SILVER METALLIC MATTHEWS MP18101
5) X
6) X
VINYL COLORS
1) ORANGE ARLON 2500-2919
2) WHITE ARLON 2500-20
3) LT BLUE ARLON 2500-2869
4) X
5) X
6) X
ELECTRICAL NOTES
1) F96T12DHO DAYLIGHT FLUORESCENT LAMPS (2)
2) ESB216-12 BALLAST (1)
3) DISCONNECT SWITCH
4) PHOTOCELL
5) X

INSTALLATION X
ADDRESS X
CITY X
MEMBER X
REVISION #

ENCON SERVICES, INC.
AARON BIEDENBACH
2272 JAUDON ROAD
DOVER, FL 33527
813-655-3373
OHPE #60756, OC #01893

STATE OF OHIO
AARON P. BIEDENBACH
E-60756
PROFESSIONAL ENGINEER

THIS DRAWING IS THE PROPERTY OF THOMAS SIGN & AWNING CO. INC. ALL RIGHTS TO IT'S USE FOR REPRODUCTION ARE RESERVED BY THOMAS SIGN & AWNING CO. INC., CLEARWATER, FL

CLIENT PNC BANK
DESIGN NUMBER P-50-H PYLON - CLADDING ASSEMBLY
REVISION REVISION SLEEVE & CLADDING ASSEMBLY DETAILS, ADDED FOR MEMBER X
DETAIL - DIA - 062200
REVISION X

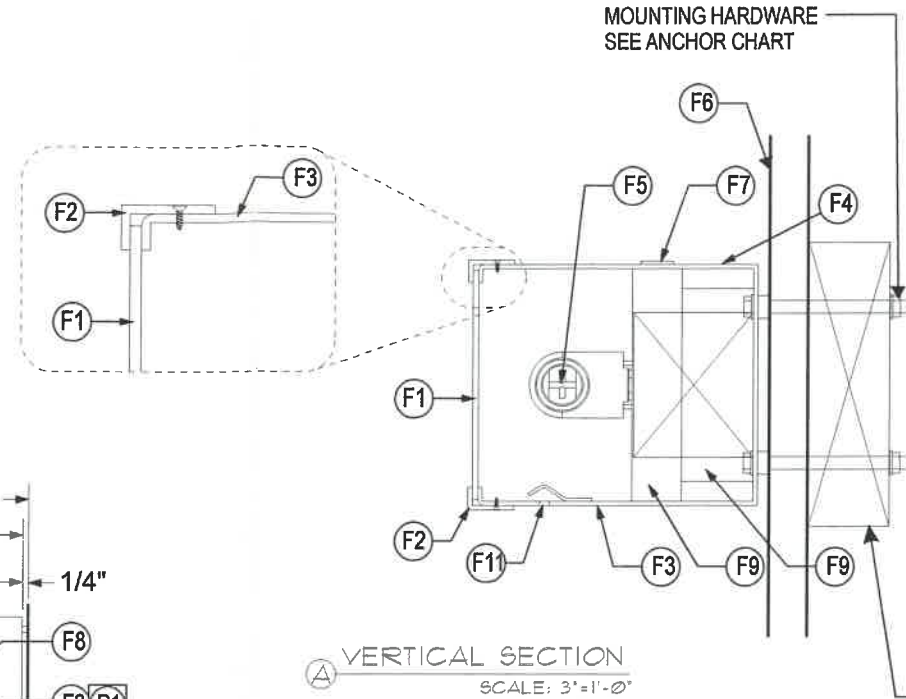
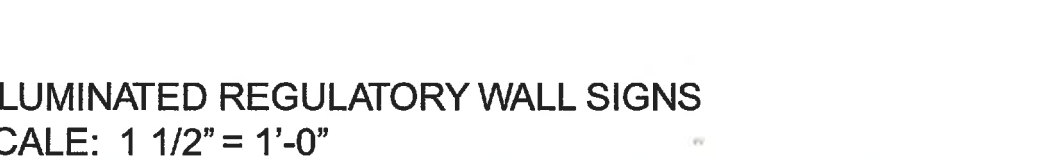
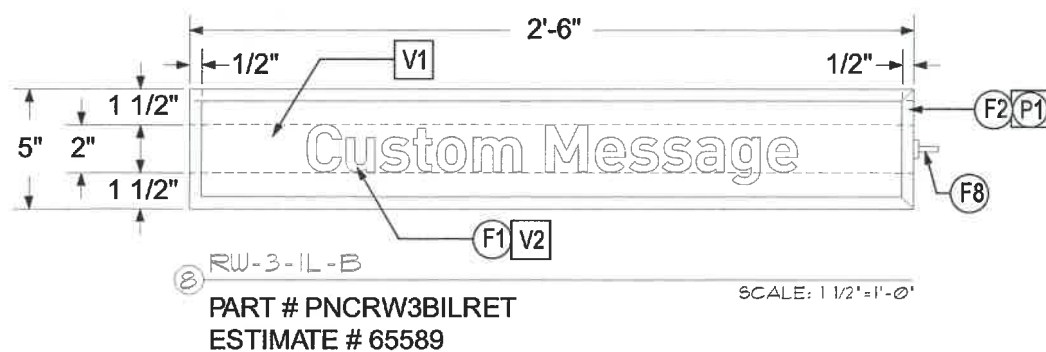
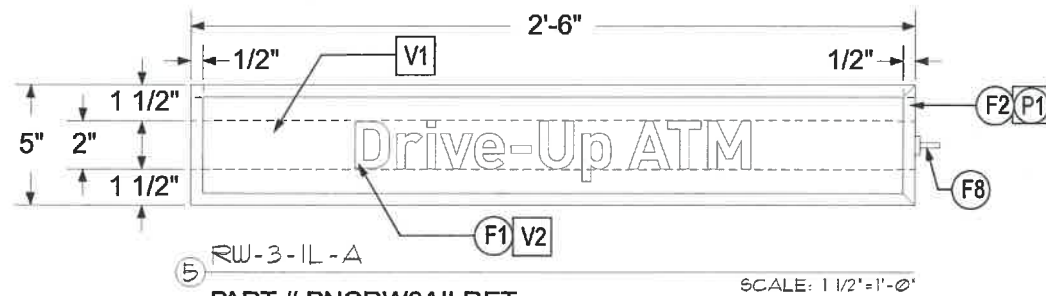
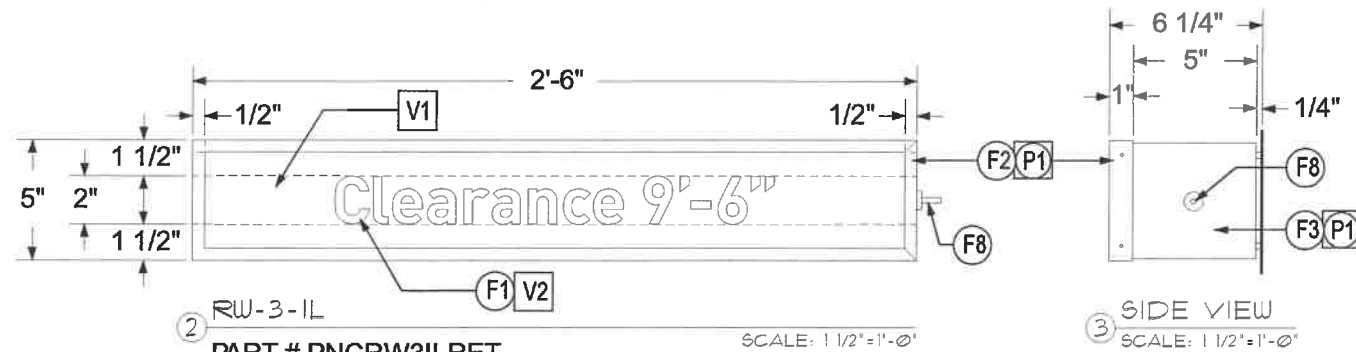
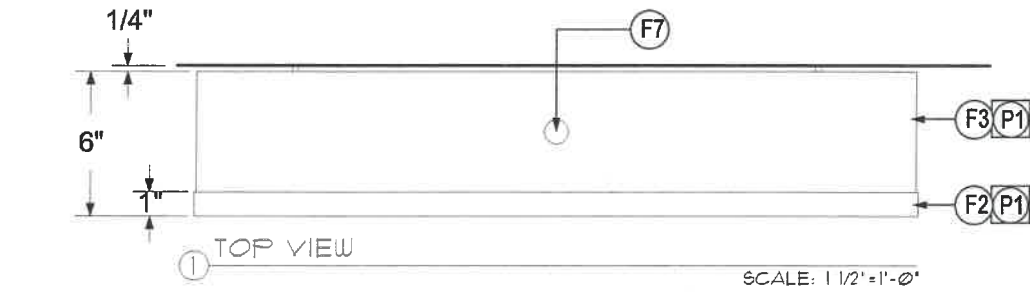
DATE 05/19/09
SHEET 2 OF 2
ARTIST DJA
SALES REP BH
STATE X
CITY X
MEMBER X
REVISION #

THOMAS SIGN & AWNING COMPANY, INC.
4590 118TH AVENUE NORTH CLEARWATER, FL 33762
800-526-3325 • 727-573-7757 • FAX 727-573-0328

**PNC BANK
NAPOLEAN, OHIO**

GENERAL NOTES:

- ALL PAINTS TO BE TWO-PART POLY-URETHANE BY MATTHEWS. SATIN FINISH.
- ALL FILM TO BE ARLON UNLESS OTHERWISE STATED.
- ALL STEEL COMPONENTS TO BE PRIMED WITH ZINC INHIBITOR (DEVCON-Z OR EQUAL)
- ALL ELECTRICAL WORK TO MEET OR EXCEED U. L. REQUIREMENTS.
- ALL EXPOSED FASTENERS TO BE PAINTED TO MATCH CABINET.
- ELECTRICAL LEADS FROM THE BACK OF ILLUMINATED LETTERS TO BE A MINIMUM OF 6'-0" LONG AS MEASURED FROM THE BACK OF THE LETTER

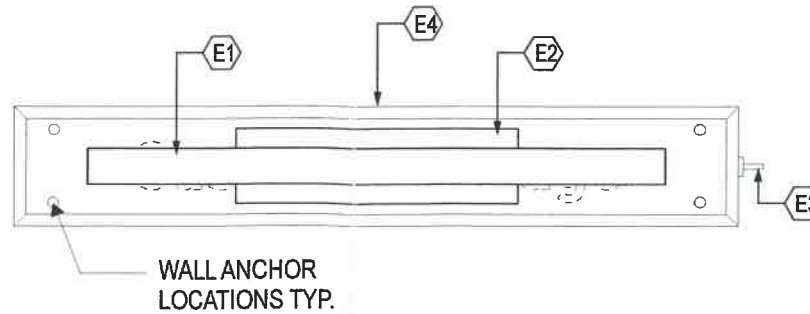


SIGN MOUNTING HEIGHT TO BE 30FT MAXIMUM
ANCHOR TO BE THRU BOLTS IF POSSIBLE, ALTERNATE ANCHORS PER WALL TYPE SHOWN BELOW FOR USE IF THRU BOLTING IS NOT POSSIBLE

ANCHOR SCHEDULE: 1/4" DIA. ANCHORS
QUANTITY: (4) ANCHORS PER SIGN

WALL STRUCTURE	ANCHOR TYPE
WOOD BLOCKING	LAG BOLT (3" EMBEDMENT) THRU BLOCKING
EIFS OVER 5/8" PLYWOOD	LIBERTY TOGGLE BOLT OR THRU BOLT WITH SLEEVE
HOLLOW CONCRETE BLOCK	SLEEVE ANCHOR (1-1/2" EMBEDMENT)
SOLID CONCRETE	WEDGE ANCHOR (2-1/2" EMBEDMENT)
BRICK	HILTI HIT ROD W/WHY-20 ADHESIVE (3 1/2" EMBEDMENT)

ALL ANCHORS SHALL BE CHOSEN AND PLACED IN ACCORDANCE WITH MANUFACTURERS INSTALLATION INSTRUCTIONS



- (F1) FABRICATION NOTES
- (V1) VINYL COLORS
- (P1) PAINT NOTES
- (E1) ELECTRICAL NOTES

- DESIGN PARAMETERS:
2007 OHIO BUILDING CODE
WIND SPEED DATA
1. BASIC WIND SPEED = 90 MPH (3 SEC. GUST)
2. WIND IMPORTANCE FACTOR 1.0
3. WIND EXPOSURE C
4. INTERNAL PRESSURE COEF. N/A
5. COMPONENT AND CLADDING N/A



THIS ARTICLE IS INTENDED TO BE INSTALLED IN ACCORDANCE WITH THE REQUIREMENTS OF ARTICLE 600 OF THE NATIONAL ELECTRICAL CODE AND/OR OTHER APPLICABLE LOCAL CODES. THIS INCLUDES PROPER GROUNDING AND BONDING OF THE SIGN

TOTAL SQFT = 1.04'					
PART # NOTED					
ESTIMATE # NOTED					
FABRICATION NOTES					
1) .118" WHITE ACRYLIC #7328 (ACRYSTEEL OR APPROVED EQUAL). DECORATED 1st SURFACE. BACKGROUND TO BE OPAQUE, ARLON 2914 PNC BLUE VINYL. COPY TO BE REVERSE CUT WHITE. TYPEFACE TO BE FF DIN BOLD. VERIFY ALL COPY PRIOR TO FABRICATION.					
2) 1" X 1/2" X .090" ALUMINUM ANGLE RETAINER, MITER CUT, WELD AND GRIND SMOOTH AT TOP, BOTTOM, AND INBOARD SIDE. LEAVE OUTBOARD SIDE REMOVEABLE FOR SERVICING. PAINT FINISH PNC BLUE. SATIN FINISH. ATTACH WITH COUNTERSUNK FLATHEAD STAINLESS STEEL SCREWS. PAINT HEADS TO MATCH.					
3) .090" BREAKFORMED ALUMINUM PAN SIGN BOX. CRIMP LEADING EDGE TO RETAIN ACRYLIC FACE. WELD AND GRIND SMOOTH AT CORNERS. PAINT FINISH EXTERIOR SURFACE PNC BLUE. SATIN FINISH. PAINT FINISH INTERIOR SURFACE WITH LIGHT ENHANCEMENT PAINT.					
4) U.L. APPROVED ELECTRICAL RACEWAY AS REQUIRED.					
5) T-12 H.O. DAYLIGHT FLUORESCENT BULB(S) AS REQUIRED TO PROVIDE EVEN ILLUMINATION AT SIGN FACE WITHOUT HOT SPOTS OR SHADOWS. USE TOMBSTONE FIXTURES.					
6) EXISTING WALL - 5/8" PLYWOOD OVER STUD FRAMING TYP.					
7) PHOTOCELLS REQUIRED					
8) EMERGENCY CUT OFF SWITCH AS REQUIRED TO MEET U.L. AND APPLICABLE CODE REQUIREMENTS. CUT OFF SWITCH TO BE BOOTED ALL WEATHER.					
9) U.L. APPROVED ALUMINUM SOCKET BOX AS REQUIRED. WIRE INTO RACEWAY AS REQUIRED TO MEET U.L. CODE.					
10) PROVIDE WEEP HOLES WITH LIGHT SCREENS TO MEET U.L. CODE.					
FONTS USED					
1) FF DIN BOLD					
2) X					
PAINT COLORS					
1) BLUE MATTHEWS MP31479					
VINYL COLOR					
1) BLUE ARLON 2914 SOLID COLOR					
2) REVERSE WEEDED TO SHOW WHITE					
3) X					
4) X					
ELECTRICAL NOTES					
1) F24T12DHO DAYLIGHT FLUORESCENT LAMP - (1) REQ.					
2) ESB216-12 BALLAST - (1) REQ.					
3) DISCONNECT SWITCH					
4) PHOTOCELL					
5) X					
ELECTRICAL SPECIFICATIONS					
PLASTIC SIGN BALLAST-HIGH OUTPUT 800 MAAT 120VOLT 60 HZ					
BALLAST#	LAMP CURRENT	MAX LINE CURRENT	MAX INPUT WATTS	OPEN CIRCUIT VOLTAGE	
1	ESB216-12	.800	1.12	134	600
X	X	X	X	X	X
X	X	X	X	X	X
TOTAL		1.12	134		
(1) 20 AMP-120 VOLT CIRCUIT REQUIRED					

ENCON SERVICES, INC.
AARON BIEDENBACH
2272 JAUDON ROAD
DOVER, FL 33527
813-655-3373
OHPE #60756, OC #01893

THIS DRAWING IS THE PROPERTY OF THOMAS SIGN & AWNING CO., INC. ALL RIGHTS TO ITS USE FOR REPRODUCTION ARE RESERVED BY THOMAS SIGN & AWNING CO., INC., CLEARWATER, FL.

DATE: 07/21/09
SHEET 1 OF 1

INSTALLATION ADDRESS: X
CITY: X
STATE: X
ARTIST: X
SALES REP: X
DIA: X

REGULATORY SIGNS WALL MT ILLUMINATED
REVISION 1: X
REVISION 2: X

CLIENT: PNC BANK
DESIGN NUMBER: X
REVISION 1: X
REVISION 2: X

THOMAS SIGN & AWNING COMPANY, INC.
4590 118TH AVENUE NORTH • CLEARWATER, FL • 33762
800-526-3325 • 727-573-7757 • FAX 727-573-0328

ILLUMINATED REGULATORY WALL SIGNS
SCALE: 1 1/2" = 1'-0"

EnCon Services, Inc.

Sign Design Calculations

Job Description
 PNC Bank
 801 North Perry
 Napoleon, Ohio
 5" x 2'-6" Regulatory Sign
 Design per 2007 Ohio Building Code
 ASCE 7-05

PREPARED BY: EnCon Services, Inc.
 2272 Jaudon Road
 Dover, FL 33527
 813-655-3373
 F 813-655-9814

Aaron Biedenbach, P.E.
 FL PE #52949, FL EB 9394
 OH PE 60756, OC #01893
 KY PE #20281, P #2463
 IN PE #PE 19600322
 FL CBC #060535, QB #22527

Design Specifications

Importance Factor	1
Kzt	1
Exposure Factor	C
Kd	1
Kz	0.98
V	90 (mph)
GCp-GCpi	1.28 Zone 4, H < 60 Feet
Wind Pressure	26.0 (psf)

Sign Information

Height	0.42 (ft)
Width	2.50 (ft)
Thickness	0.50 (ft)
Distance grade to top	30 (ft)

Wind Shear Force 5.46 (lb)
 Weight of Sign 15 (lb)

Total Shear Force = 15.96 (lb)

Total Tension Force = 27.31 (lb)

	Required	Provided
Fastener size (Nominal)	1/4	1/4
Minimum number of fasteners	4	4
Shear Force per fastener (lb)	4.0	170
Tension Force per fastener (lb)	6.8	260

Combination Tension and Shear ratio **0.05 < 1 O.K.**

THREADED ROD THROUGH WALL IS PREFERRED IN ALL INSTANCES. IF IT IS NOT POSSIBLE TO USE THREADED ROD, SEE CHART BELOW FOR APPROPRIATE ANCHOR SELECTION. SIZE AND NUMBER REQUIRED ARE NOTED IN THE CHART ABOVE.

WALL STRUCTURE	ANCHOR TYPE
WOOD BLOCKING	LAG BOLT (1-1/2" EMBEDMENT) THROUGH BLOCKING
EIFS OVER 5/8" PLYWOOD	LIBERTY TOGGLE BOLT OR THRU BOLT WITH SLEEVE
HOLLOW CONCRETE BLOCK, BRICK	SLEEVE ANCHOR (1-1/2" EMBEDMENT)
SOLID CONCRETE	WEDGE ANCHOR (2-1/2" EMBEDMENT)
CMU, SOLID CONCRETE, BRICK	HILTI HIT ROD W/HY-20 ADHESIVE (3 1/2" EMBEDMENT)

ALL ANCHORS SHALL BE CHOSEN AND PLACED IN ACCORDANCE WITH MANUFACTURERS INSTALLATION INSTRUCTIONS



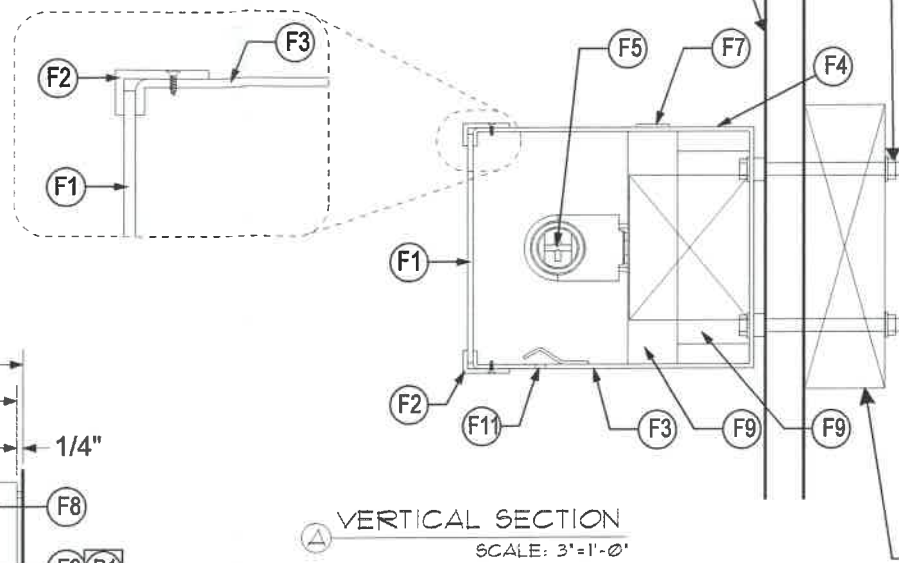
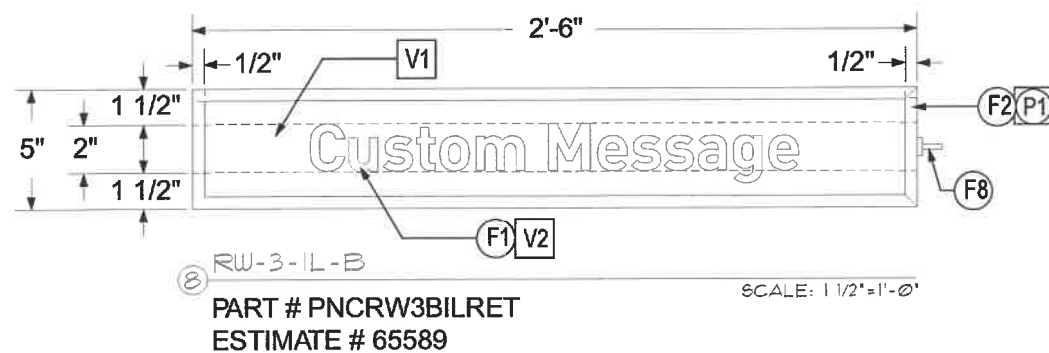
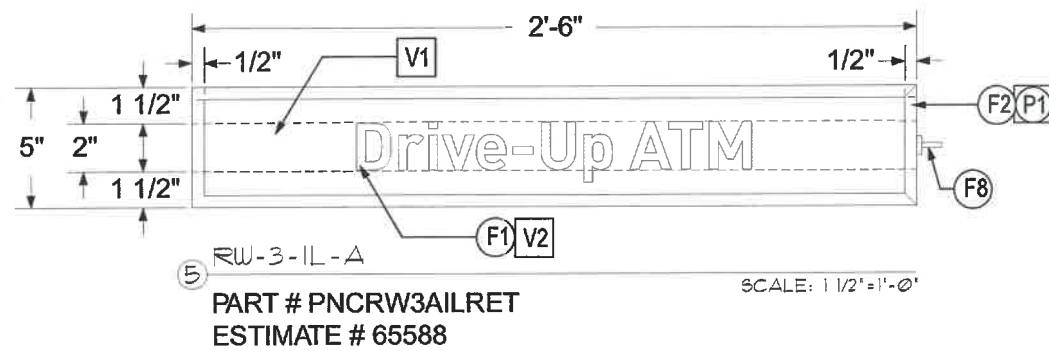
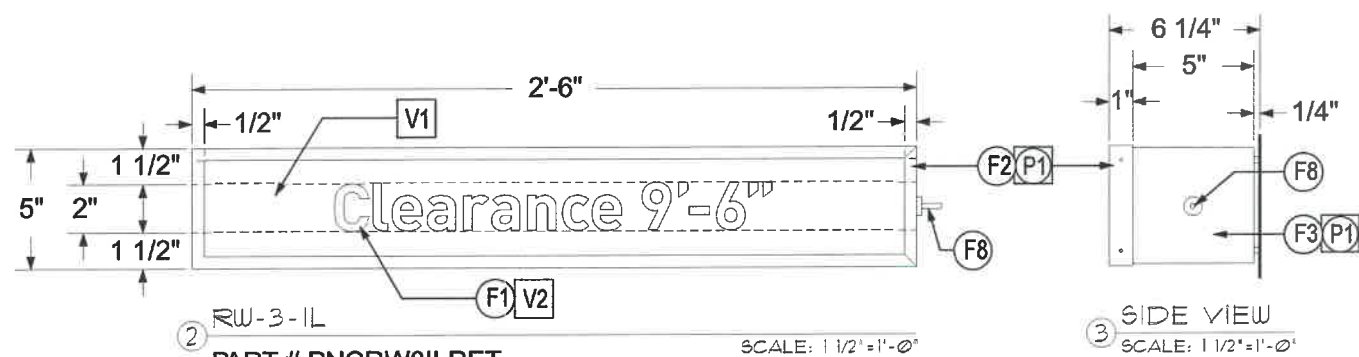
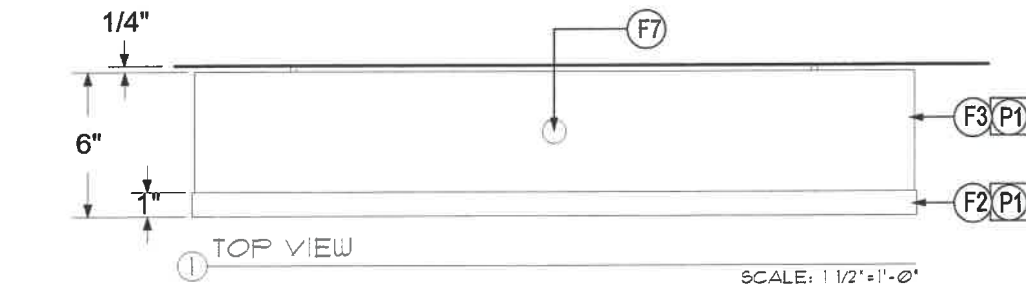
9/16/09

**PNC BANK
NAPOLEAN, OHIO**

GENERAL NOTES:

- ALL PAINTS TO BE TWO-PART POLY-URETHANE BY MATTHEWS. SATIN FINISH.
- ALL FILM TO BE ARLON UNLESS OTHERWISE STATED.
- ALL STEEL COMPONENTS TO BE PRIMED WITH ZINC INHIBITOR (DEVCON-Z OR EQUAL)
- ALL ELECTRICAL WORK TO MEET OR EXCEED U. L. REQUIREMENTS.
- ALL EXPOSED FASTENERS TO BE PAINTED TO MATCH CABINET.
- ELECTRICAL LEADS FROM THE BACK OF ILLUMINATED LETTERS TO BE A MINIMUM OF 6'-0" LONG AS MEASURED FROM THE BACK OF THE LETTER

- (F1) FABRICATION NOTES
- (V1) VINYL COLORS
- (P1) PAINT NOTES
- (E1) ELECTRICAL NOTES

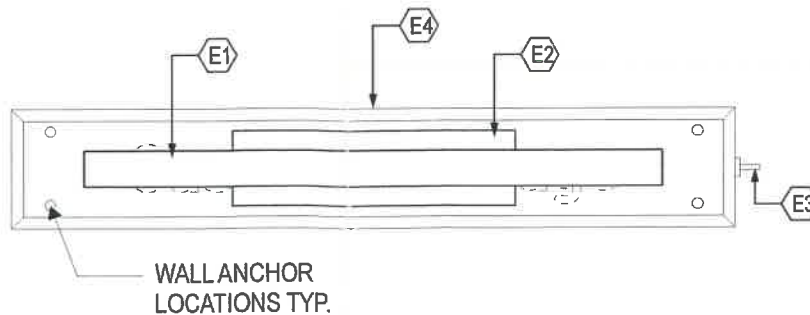


SIGN MOUNTING HEIGHT TO BE 30FT MAXIMUM
ANCHOR TO BE THRU BOLTS IF POSSIBLE, ALTERNATE ANCHORS PER WALL TYPE SHOWN BELOW FOR USE IF THRU BOLTING IS NOT POSSIBLE

ANCHOR SCHEDULE: 1/4" DIA. ANCHORS
QUANTITY: (4) ANCHORS PER SIGN

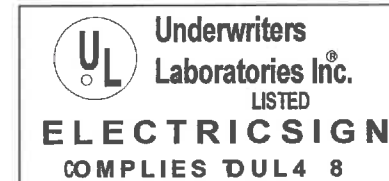
WALL STRUCTURE	ANCHOR TYPE
WOOD BLOCKING	LAG BOLT (3" EMBEDMENT) THRU BLOCKING
EIFS OVER 5/8" PLYWOOD	LIBERTY TOGGLE BOLT OR THRU BOLT WITH SLEEVE
HOLLOW CONCRETE BLOCK	SLEEVE ANCHOR (1-1/2" EMBEDMENT)
SOLID CONCRETE	WEDGE ANCHOR (2-1/2" EMBEDMENT)
BRICK	HILTI HIT ROD W/WHY-20 ADHESIVE (3 1/2" EMBEDMENT)

ALL ANCHORS SHALL BE CHOSEN AND PLACED IN ACCORDANCE WITH MANUFACTURERS INSTALLATION INSTRUCTIONS



ELECTRICAL LAYOUT
SCALE: 1 1/2" = 1'-0"

- DESIGN PARAMETERS:**
2007 OHIO BUILDING CODE
WIND SPEED DATA
1. BASIC WIND SPEED = 90 MPH (3 SEC. GUST)
2. WIND IMPORTANCE FACTOR 1.0
3. WIND EXPOSURE C
4. INTERNAL PRESSURE COEF. N/A
5. COMPONENT AND CLADDING N/A



THIS ARTICLE IS INTENDED TO BE INSTALLED IN ACCORDANCE WITH THE REQUIREMENTS OF ARTICLE 600 OF THE NATIONAL ELECTRICAL CODE AND/OR OTHER APPLICABLE LOCAL CODES. THIS INCLUDES PROPER GROUNDING AND BONDING OF THE SIGN

TOTAL SQFT = 1.04'					
PART # NOTED					
ESTIMATE # NOTED					
FABRICATION NOTES					
1) .118" WHITE ACRYLIC #7328 (ACRYL STEEL OR APPROVED EQUAL). DECORATED 1st SURFACE. BACKGROUND TO BE OPAQUE, ARLON 2914 PNC BLUE VINYL. COPY TO BE REVERSE CUT WHITE. TYPEFACE TO BE FF DIN BOLD. VERIFY ALL COPY PRIOR TO FABRICATION.					
2) 1" X 1/2" X .090" ALUMINUM ANGLE RETAINER, MITER CUT, WELD AND GRIND SMOOTH AT TOP, BOTTOM, AND INBOARD SIDE. LEAVE OUTBOARD SIDE REMOVEABLE FOR SERVICING. PAINT FINISH PNC BLUE. SATIN FINISH. ATTACH WITH COUNTERSUNK FLATHEAD STAINLESS STEEL SCREWS. PAINT HEADS TO MATCH.					
3) .090" BREAKFORMED ALUMINUM PAN SIGN BOX. CRIMP LEADING EDGE TO RETAIN ACRYLIC FACE. WELD AND GRIND SMOOTH AT CORNERS. PAINT FINISH EXTERIOR SURFACE PNC BLUE. SATIN FINISH. PAINT FINISH INTERIOR SURFACE WITH LIGHT ENHANCEMENT PAINT.					
4) U.L. APPROVED ELECTRICAL RACEWAY AS REQUIRED.					
5) T-12 H.O. DAYLIGHT FLUORESCENT BULB(S) AS REQUIRED TO PROVIDE EVEN ILLUMINATION AT SIGN FACE WITHOUT HOT SPOTS OR SHADOWS. USE TOMBSTONE FIXTURES.					
6) EXISTING WALL - 5/8" PLYWOOD OVER STUD FRAMING TYP.					
7) PHOTOCELLS REQUIRED					
8) EMERGENCY CUT OFF SWITCH AS REQUIRED TO MEET U.L. AND APPLICABLE CODE REQUIREMENTS. CUT OFF SWITCH TO BE BOOTED ALL WEATHER.					
9) U.L. APPROVED ALUMINUM SOCKET BOX AS REQUIRED. WIRE INTO RACEWAY AS REQUIRED TO MEET U.L. CODE.					
10) PROVIDE WEEP HOLES WITH LIGHT SCREENS TO MEET U.L. CODE.					
Fonts USED					
1) FF DIN BOLD					
2) X					
PAINT COLORS					
1) BLUE MATTHEWS MP31479					
VINYL COLOR					
1) BLUE ARLON 2914 SOLID COLOR					
2) REVERSE WEEDED TO SHOW WHITE					
3) X					
4) X					
ELECTRICAL NOTES					
1) F24T12DHO DAYLIGHT FLUORESCENT LAMP - (1) REQ.					
2) ESB216-12 BALLAST - (1) REQ.					
3) DISCONNECT SWITCH					
4) PHOTOCELL					
5) X					
ELECTRICAL SPECIFICATIONS					
PLASTIC SIGN BALLAST-HIGH OUTPUT 800MA AT 120VOLT 60 HZ					
BALLAST #	LAMP CURRENT	MAX LINE CURRENT INPUT AMPS	MAX WATTS	OPEN CIRCUIT VOLTAGE	
1	ESB216-12	.800	1.12	134	600
X	X	X	X	X	X
X	X	X	X	X	X
TOTAL		1.12	134		
(1) 20 AMP-120 VOLT CIRCUIT REQUIRED					

ENCON SERVICES, INC.
AARON BIEDENBACH
2272 JAUDON ROAD
DOVER, FL 33527
813-655-3373
OHPE #60756, OC #01893



THIS DRAWING IS THE PROPERTY OF THOMAS SIGN & AWNING CO., INC. ALL RIGHTS TO ITS USE FOR REPRODUCTION ARE RESERVED BY THOMAS SIGN & AWNING CO., INC., CLEARWATER, FL.

DATE: 07/21/09
SHEET 1 OF 1

INSTALLATION ADDRESS: PNC BANK
CITY: NAPOLEAN, OHIO

SALES REP: X
ARTIST: X
DIA: X

STATE: X
APPROVED: X
DATE: X

REVISION 1: X
REVISION 2: X

DESIGN NUMBER: REGULATORY SIGNS WALL MT ILLUMINATED
REVISION 1: X
REVISION 2: X

THOMAS SIGN & AWNING COMPANY, INC.
4590 118TH AVENUE NORTH • CLEARWATER, FL • 33762
800-526-3325 • 727-573-7757 • FAX 727-573-0328

ILLUMINATED REGULATORY WALL SIGNS
SCALE: 1 1/2" = 1'-0"

EnCon Services, Inc.

Sign Design Calculations

Job Description
 PNC Bank
 801 North Perry
 Napoleon, Ohio
 5" x 2'-6" Regulatory Sign
 Design per 2007 Ohio Building Code
 ASCE 7-05

PREPARED BY: EnCon Services, Inc.
 2272 Jaudon Road
 Dover, FL 33527
 813-655-3373
 F 813-655-9814

Aaron Biedenbach, P.E.
 FL PE #52949, FL EB 9394
 OH PE 60756, OC #01893
 KY PE #20281, P #2463
 IN PE #PE 19600322
 FL CBC #060535, QB #22527

Design Specifications

Importance Factor	1
Kzt	1
Exposure Factor	C
Kd	1
Kz	0.98
V	90 (mph)
GCp-GCpi	1.28 Zone 4, H < 60 Feet
Wind Pressure	26.0 (psf)

Sign Information

Height	0.42 (ft)
Width	2.50 (ft)
Thickness	0.50 (ft)
Distance grade to top	30 (ft)

Wind Shear Force 5.46 (lb)
 Weight of Sign 15 (lb)

Total Shear Force = 15.96 (lb)

Total Tension Force = 27.31 (lb)

	Required	Provided
Fastener size (Nominal)	1/4	1/4
Minimum number of fasteners	4	4
Shear Force per fastener (lb)	4.0	170
Tension Force per fastener (lb)	6.8	260

Combination Tension and Shear ratio **0.05 < 1 O.K.**

THREADED ROD THROUGH WALL IS PREFERRED IN ALL INSTANCES. IF IT IS NOT POSSIBLE TO USE THREADED ROD, SEE CHART BELOW FOR APPROPRIATE ANCHOR SELECTION. SIZE AND NUMBER REQUIRED ARE NOTED IN THE CHART ABOVE.

WALL STRUCTURE	ANCHOR TYPE
WOOD BLOCKING	LAG BOLT (1-1/2" EMBEDMENT) THROUGH BLOCKING
EIFS OVER 5/8" PLYWOOD	LIBERTY TOGGLE BOLT OR THRU BOLT WITH SLEEVE
HOLLOW CONCRETE BLOCK, BRICK	SLEEVE ANCHOR (1-1/2" EMBEDMENT)
SOLID CONCRETE	WEDGE ANCHOR (2-1/2" EMBEDMENT)
CMU, SOLID CONCRETE, BRICK	HILTI HIT ROD WH/Y-20 ADHESIVE (3 1/2" EMBEDMENT)

ALL ANCHORS SHALL BE CHOSEN AND PLACED IN ACCORDANCE WITH MANUFACTURERS INSTALLATION INSTRUCTIONS



EnCon Services, Inc.

Sign Design Calculations

Job Description
 PNC Bank
 801 North Perry
 Napoleon, Ohio
 5" x 2'-6" Regulatory Sign
 Design per 2007 Ohio Building Code
 ASCE 7-05

PREPARED BY: EnCon Services, Inc.
 2272 Jaudon Road
 Dover, FL 33527
 813-655-3373
 F 813-655-9814

Aaron Biedenbach, P.E.
 FL PE #52949, FL EB 9394
 OH PE 60756, OC #01893
 KY PE #20281, P #2463
 IN PE #PE 19600322
 FL CBC #060535, QB #22527

Design Specifications

Importance Factor	1
Kzt	1
Exposure Factor	C
Kd	1
Kz	0.98
V	90 (mph)
GCp-GCpi	1.28 Zone 4, H < 60 Feet
Wind Pressure	26.0 (psf)

Sign Information

Height	0.42 (ft)
Width	2.50 (ft)
Thickness	0.50 (ft)
Distance grade to top	30 (ft)

Wind Shear Force 5.46 (lb)
 Weight of Sign 15 (lb)

Total Shear Force = 15.96 (lb)

Total Tension Force = 27.31 (lb)



	Required	Provided
Fastener size (Nominal)	1/4	1/4
Minimum number of fasteners	4	4
Shear Force per fastener (lb)	4.0	170
Tension Force per fastener (lb)	6.8	260

Combination Tension and Shear ratio **0.05 < 1 O.K.**

THREADED ROD THROUGH WALL IS PREFERRED IN ALL INSTANCES. IF IT IS NOT POSSIBLE TO USE THREADED ROD, SEE CHART BELOW FOR APPROPRIATE ANCHOR SELECTION. SIZE AND NUMBER REQUIRED ARE NOTED IN THE CHART ABOVE.

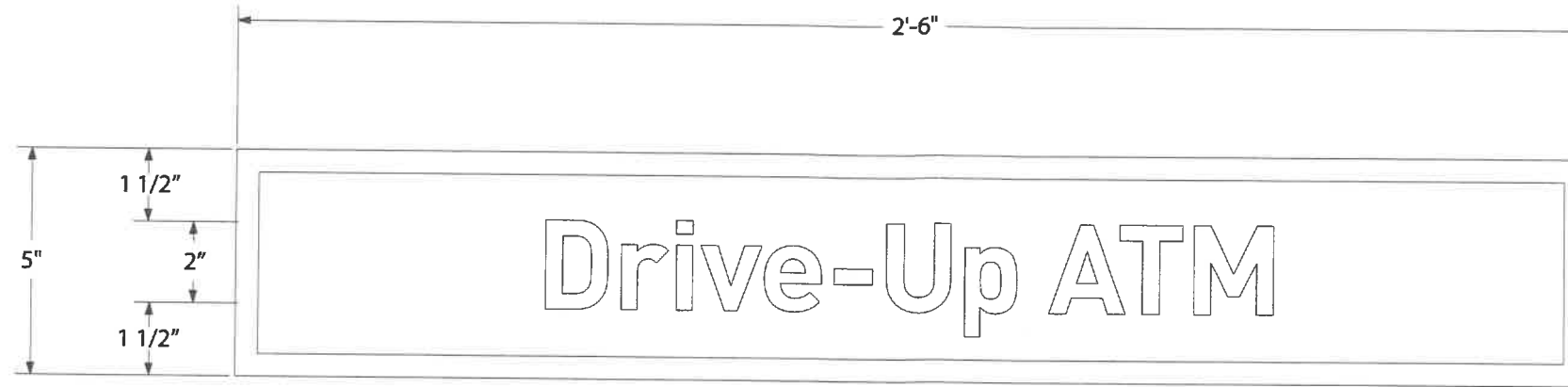
WALL STRUCTURE	ANCHOR TYPE
WOOD BLOCKING	LAG BOLT (1-1/2" EMBEDMENT) THROUGH BLOCKING
EIFS OVER 5/8" PLYWOOD	LIBERTY TOGGLE BOLT OR THRU BOLT WITH SLEEVE
HOLLOW CONCRETE BLOCK, BRICK	SLEEVE ANCHOR (1-1/2" EMBEDMENT)
SOLID CONCRETE	WEDGE ANCHOR (2-1/2" EMBEDMENT)
CMU, SOLID CONCRETE, BRICK	HILTI HIT ROD W/HY-20 ADHESIVE (3 1/2" EMBEDMENT)

ALL ANCHORS SHALL BE CHOSEN AND PLACED IN ACCORDANCE WITH MANUFACTURERS INSTALLATION INSTRUCTIONS

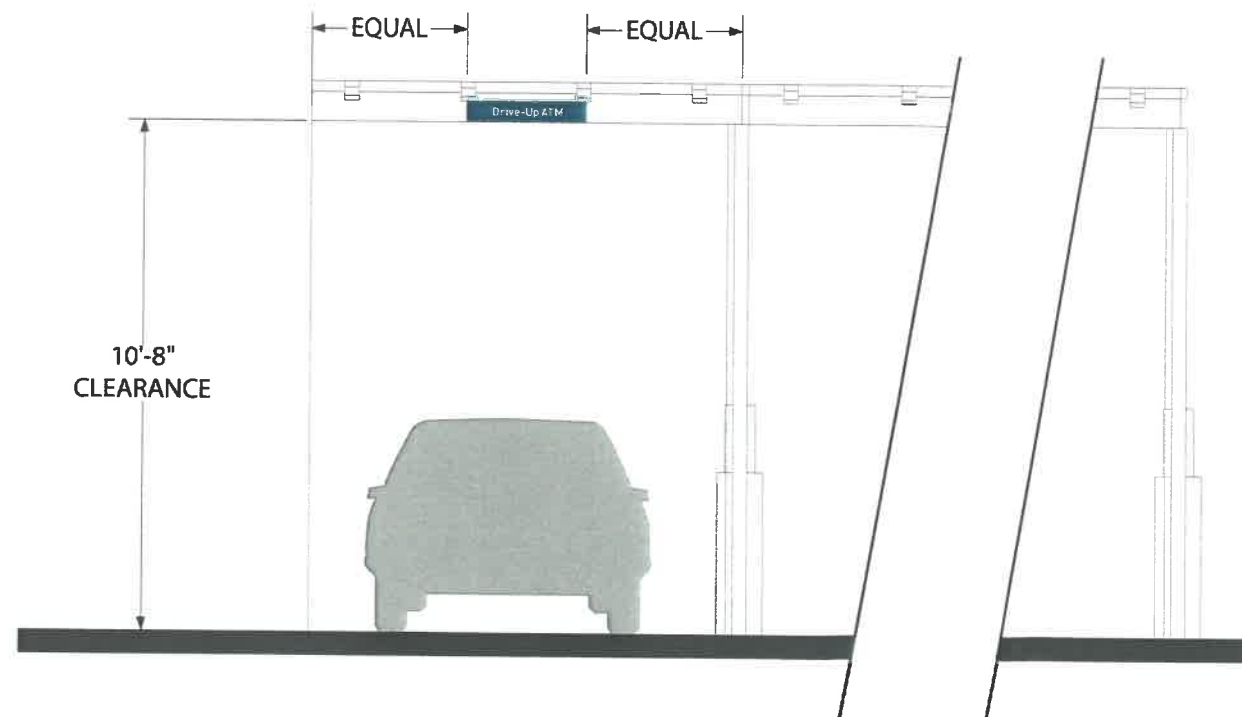
PNC BANK (RETAIL) # 2206
NEPOLEON, OH

SIGN # W005
RW-3-IL-a

TOTAL SQUARE FOOT = 1.04'



WALL SIGN LAYOUT
SCALE: 3" = 1'-0"



DRIVE-THRU ELEVATION (SOUTH/EAST)
SCALE: 1/4" = 1'-0"

SEP 15 2009
JPM

THIS DRAWING IS THE PROPERTY OF THOMAS SIGN & AWNING CO. INC. ALL RIGHTS TO IT'S USE FOR REPRODUCTION ARE RESERVED BY THOMAS SIGN & AWNING CO. INC., CLEARWATER, FL

CLIENT	PNC BANK (RETAIL) # 2206	INSTALLATION ADDRESS	801 NORTH PERRY	DATE	09/14/09
DESIGN NUMBER	46550 A ELEV SOUTH / EAST (RW-3-IL-a)	CITY	NEPOLEON	SHEET	1 OF 1
REVISION 1:X		STATE	OH	ARTIST	TFD
REVISION 2:X		SALES REP		BH	
		APPROVED	<input type="checkbox"/>	DATE	
		APPROVED AS NOTED	<input type="checkbox"/>	DATE	
		REVISE AND RESUBMIT	<input type="checkbox"/>	DATE	

THOMAS
SIGN & AWNING COMPANY, INC.
4590 118TH AVENUE NORTH • CLEARWATER, FL • 33762
800-526-3325 • 727-573-7757 • FAX 727-573-0328

EnCon Services, Inc.
Sign Design Calculations

Job Description
PNC Bank
801 North Perry
Napolean, Ohio
P-50 Standard 18'-0" OAH
Design per 2007 Ohio Building Code
ASCE 7-05

PREPARED BY: EnCon Services, Inc.
2272 Jaudon Road
Dover, FL 33527
813-655-3373
F 813-655-9814

Aaron Biedenbach, P.E.
FL PE #52949, FL EB 9394
OH PE 60756, OC #01893
KY PE #20281, P #2463
IN PE #PE 19600322
FL CBC #060535, QB #22527

Importance Factor 1
Kzt 1
Exposure C
Kd 1
Kz 0.88
V 90 mph
Cf 1.91
G 0.85

Sign	Area (sf)	Distance to Center (ft)	Wind Pressure	
			P = Force (lb)	Moment (ft-lb)
Top	42.60	16.75	1262	21137
Middle			0	0
Bottom			0	0
Poles	22.19	8.48	568	4817
			1,830	25,953

Required Sx 10.26 inches cubed per pole
Provided Sx 26.4 HSS 8"x 8" x3/8" A500 B **OK**

Base Plate Design

Distance Between Bolts 20
Number of Bolts per Base Plate 4
Plate Width B (IN) 24
Bolt Spacing d (IN) 20
Diameter of Pole (IN) 11.3

7786 Tension on Bolts (LB)
Use 1-1/4" Dia. X 42" Long F1554 GR 55 bolts with embedded double nuts
0.79 Plate thickness (IN)
Use 1 1/2" A36 Plate

Base Design

Number of Bases 1
Diagonal B (FT) 3.00
Lateral soil pressure (LB/SF/FT) 100
Depth (Estimated) (FT) 8
S1 711
Design Depth (FT) 6.66 Ft

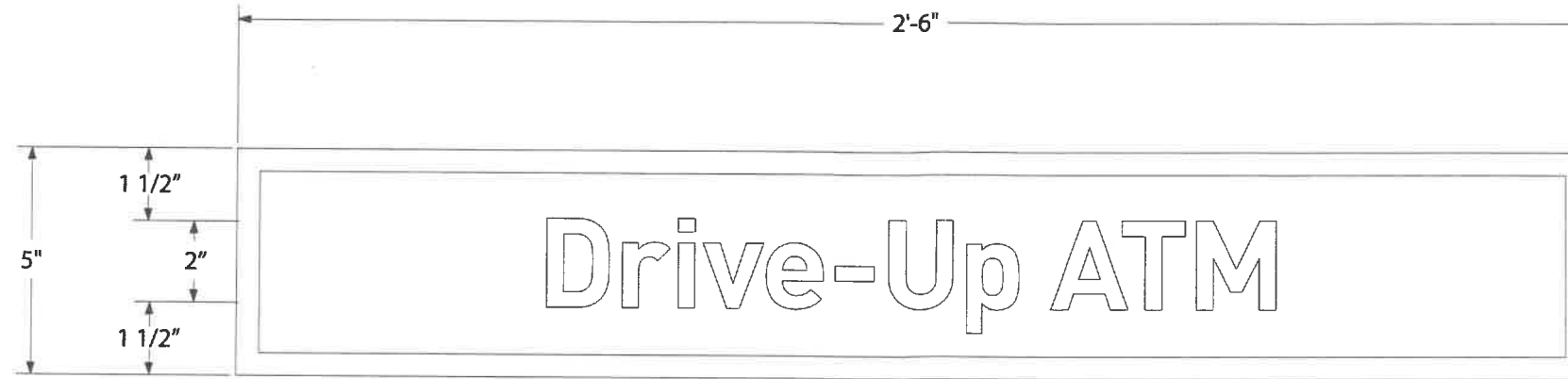
Base Size Required
8.0 FT Deep
3.0 FT Diameter



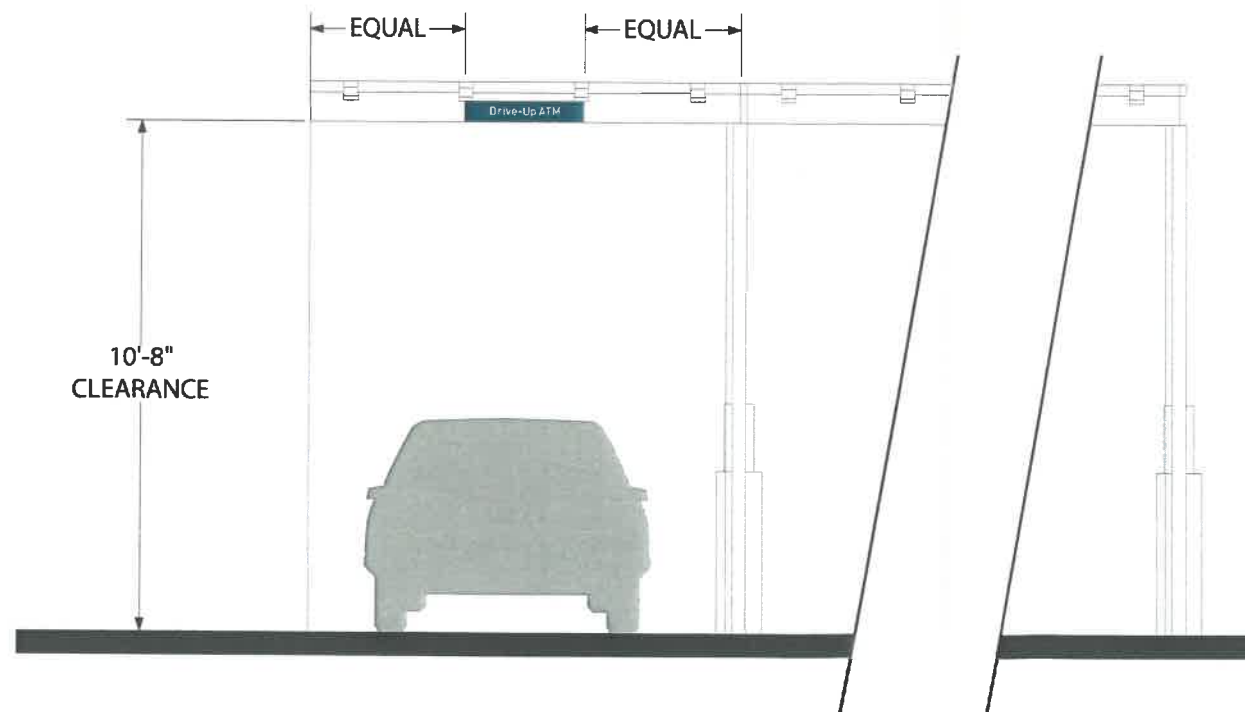
PNC BANK (RETAIL) # 2206
NEPOLEON, OH

SIGN # W005
RW-3-IL-a

TOTAL SQUARE FOOT = 1.04'



WALL SIGN LAYOUT
SCALE: 3" = 1'-0"



DRIVE-THRU ELEVATION (SOUTH/EAST)
SCALE: 1/4" = 1'-0"

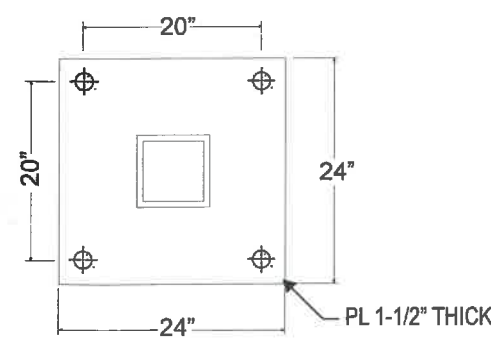
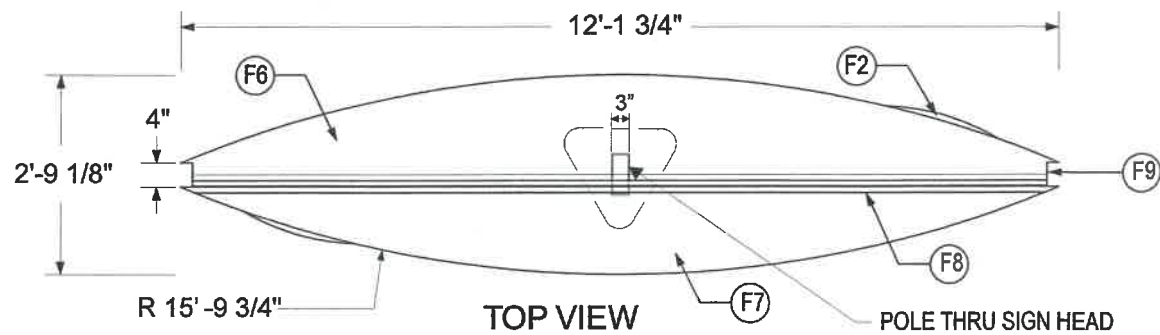
SEP 15 2009
JPM

THIS DRAWING IS THE PROPERTY OF THOMAS SIGN & AWNING CO. INC. ALL RIGHTS TO IT'S USE FOR REPRODUCTION ARE RESERVED BY THOMAS SIGN & AWNING CO. INC., CLEARWATER, FL

CLIENT	PNC BANK (RETAIL) # 2206	INSTALLATION ADDRESS	801 NORTH PERRY	DATE	09/14/09
DESIGN NUMBER	46550 A ELEV SOUTH / EAST (RW-3-IL-a)	CITY	NEPOLEON	SHEET	1 OF 1
REVISION 1:X		STATE	OH	ARTIST	TFD
REVISION 2:X		SALES REP	BH	APPROVED	DATE:
		REVISION 3:X		APPROVED AS NOTED	DATE:
		REVISION 4:X		REVISE AND RESUBMIT	DATE:

THOMAS
SIGN & AWNING COMPANY, INC.
4590 118TH AVENUE NORTH • CLEARWATER, FL • 33762
800-526-3325 • 727-573-7757 • FAX 727-573-0328

PNC BANK
801 NORTH PERRY
NAPOLEAN, OHIO

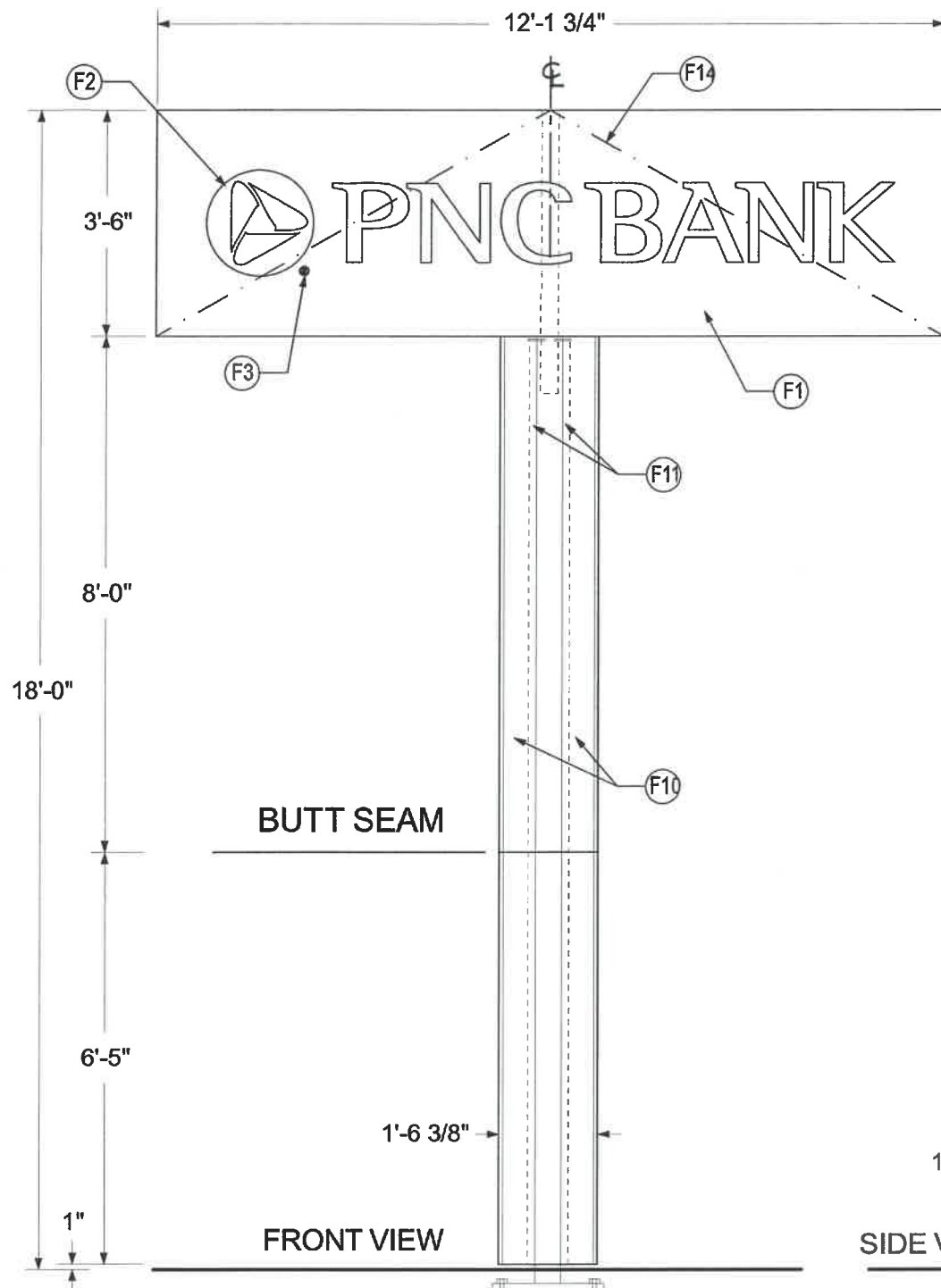


BASE PLATE DETAIL
SCALE: NTS

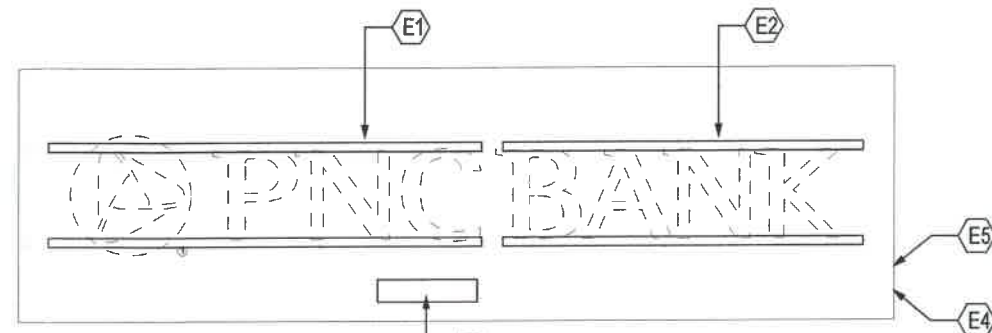
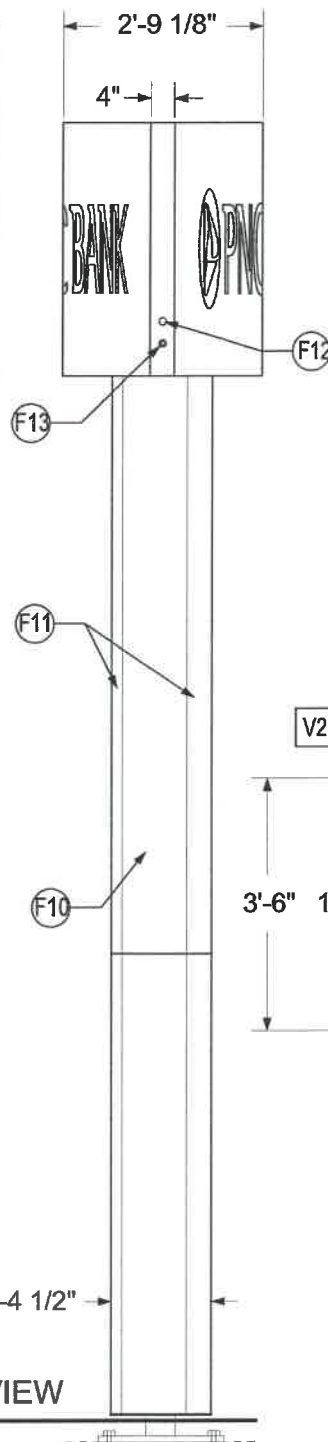
- (F1) FABRICATION NOTES
- (V1) VINYL COLORS
- (P1) PAINT NOTES
- (E1) ELECTRICAL NOTES

GENERAL NOTES:

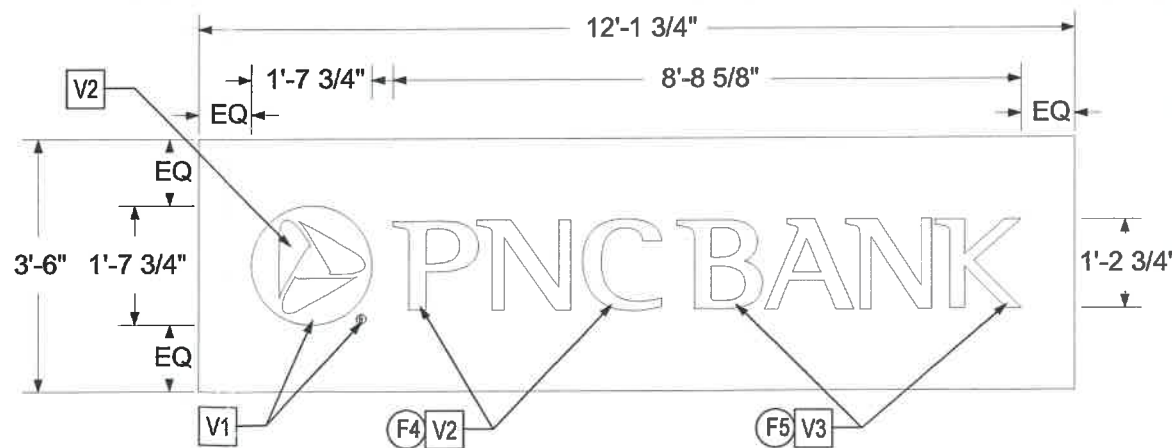
- ALL PAINTS TO BE TWO-PART POLY-URETHANE BY MATTHEWS. SATIN FINISH.
- ALL FILM TO BE ARLON UNLESS OTHERWISE STATED.
- ALL STEEL COMPONENTS TO BE PRIMED WITH ZINC INHIBITOR (DEVCON-Z OR EQUAL)
- ALL ELECTRICAL WORK TO MEET OR EXCEED U. L. REQUIREMENTS.
- ALL EXPOSED FASTENERS TO BE PAINTED TO MATCH CABINET.
- ELECTRICAL LEADS FROM THE BACK OF ILLUMINATED LETTERS TO BE A MINIMUM OF 6'-0" LONG AS MEASURED FROM THE BACK OF THE LETTER



P-50-H PYLON
SCALE: 3/8" = 1'-0"



ELECTRICAL LAYOUT



ELECTRICAL SPECIFICATIONS				
PLASTIC SIGN BALLAST-HIGH OUTPUT 800 MA AT 120VOLT 60 HZ				
BALLAST #	LAMP CURRENT	MAX LINE CURRENT AMPS	MAX INPUT WATTS	OPEN CIRCUIT VOLTAGE
1 ESB432-14	.800	2.34	280	600
X X	X	X	X	X
X X	X	X	X	X
TOTAL		2.34	280	

(1) 20 AMP-120 VOLT CIRCUIT REQUIRED

UL Underwriters Laboratories Inc.
LISTED
ELECTRIC SIGN COMPLIESTOUL48

THIS ARTICLE IS INTENDED TO BE INSTALLED IN ACCORDANCE WITH THE REQUIREMENTS OF ARTICLE 600 OF THE NATIONAL ELECTRICAL CODE AND/OR OTHER APPLICABLE LOCAL CODES. THIS INCLUDES PROPER GROUNDING AND BONDING OF THIS SIGN.

TOTAL SQFT= 42.51'
PART # PNCP-50-H
ESTIMATE # 65504

FABRICATION NOTES

- 1) .125" ROUTED ALUM SIGN FACE. FORM AS SHOWN. ROUT COPY USING ARTWORK PROVIDED BY DESIGNER. PAINT FINISH EXPOSED EXTERIOR SURFACES PNC BLUE SATIN FINISH. PAINT FINISH ALL INTERIOR SURFACES WITH LIGHT ENHANCEMENT PAINT.
- 2) "POWERLINK" SYMBOL TO BE DROP FORMED .118" CLEAR ACRYLIC (ACRYSTEEL OR APPROVED EQUAL). SECOND SURFACE DECORATE WITH PNC ORANGE TRANSLUCENT FILM, CUT AND DROP IN WHITE DETAIL USING PNC WHITE TRANSLUCENT FILM.
- 3) TRADEMARK REGISTRATION TO BE PNC ORANGE FILM FIRST SURFACE APPLIED. USE ARTWORK PROVIDED BY DESIGNER.
- 4) "PNC" TO BE BACKED WITH .118" CLEAR IMPACT MOD. ACRYLIC (ACRYSTEEL OR APPROVED EQUAL). SECOND SURFACE DECORATE WITH PNC WHITE TRANSLUCENT FILM.
- 5) "BANK" TO BE BACKED UP WITH .118" CLEAR IMPACT MOD. ACRYLIC (ACRYSTEEL OR APPROVED EQUAL). SECOND SURFACE DECORATE WITH PNC LT BLUE TRANSLUCENT FILM.
- 6) .125" ALUM SIGN CABINET RETURNS. FORM AS SHOWN. PAINT FINISH ALL EXPOSED EXTERIOR SURFACES PNC ORANGE SATIN FINISH. PAINT FINISH ALL EXPOSED INTERIOR SURFACES WITH LIGHT ENHANCEMENT PAINT.
- 7) .125" ALUM HINGED FACE RETURN. FORM AS SHOWN. PAINT FINISH ALL EXPOSED EXTERIOR SURFACES PNC ORANGE SATIN FINISH. ATTACH TO OPEN PIANO HINGE ON TOP.
- 8) STAINLESS STEEL 2" OPEN PIANO HINGE CONTINUOUS ACROSS TOP. PAINT FINISH PNC ORANGE SATIN FINISH.
- 9) ALUMINUM CHANNEL REVEAL AT SIDES. SIZE AS SHOWN. PAINT FINISH PNC ORANGE SATIN FINISH. WELD TO .125" ALUM. CABINET RETURNS TOP & BOTTOM.
- 10) .125" ALUM. COLUMN CLADDING. PAINT FINISH PNC SILVER METALLIC SATIN FINISH. VHB TAPE FOR PERMANENT ATTACHMENT TO EXTRUSIONS. MECHANICALLY ATTACH WITH COUNTERSUNK FLATHEAD STAINLESS STEEL SCREWS TO REMOVABLE EXTRUSION. SEE DETAIL.
- 11) SIGNCOMP MONOLITHIC EDGE RADIUS EDGED 60 DEGREE EXTRUSION. SIZE VARIES BY SIGN SIZE. SEE CALL OUTS. PAINT FINISH PNC SILVER METALLIC SATIN FINISH.
- 12) PHOTOCELL REQUIRED TO BE IN REVEAL.
- 13) EMERGENCY DISCONNECT SWITCH AS REQUIRED TO MEET U. L. AND APPLICABLE CODE REQUIREMENTS. SWITCH TO BE BOOTED ALL-WEATHER.
- 14) PROVIDE PROP RODS AS REQUIRED FOR ALL HINGED FACES TO PROVIDE ADEQUATE ACCESS WHILE SERVICING SIGNS.

PAINT COLORS

- 1) BLUE MATTHEWS MP31479
- 2) LIGHT ENHANCEMENT MATTHEWS MP74200SP ZAP WHI
- 3) ORANGE MATTHEWS MP01229
- 4) SILVER METALLIC MATTHEWS MP18101

VINYL COLORS

- 1) ORANGE ARLON 2500-2919
- 2) WHITE ARLON 2500-20
- 3) LT BLUE ARLON 2500-2869

ELECTRICAL NOTES

- 1) F72T12DHO DAYLIGHT FLUORESCENT LAMPS - (2) REQ.
- 2) F60T12DHO DAYLIGHT FLUORESCENT LAMPS - (2) REQ.
- 3) ESB432-14 BALLAST - (1) REQUIRED
- 4) DISCONNECT SWITCH
- 5) PHOTOCELL

ENCON SERVICES, INC.
AARON BIEDENBACH
2272 JAUDON ROAD
DOVER, FL 33527
813-655-3373
OHPE #60756, OC #01893



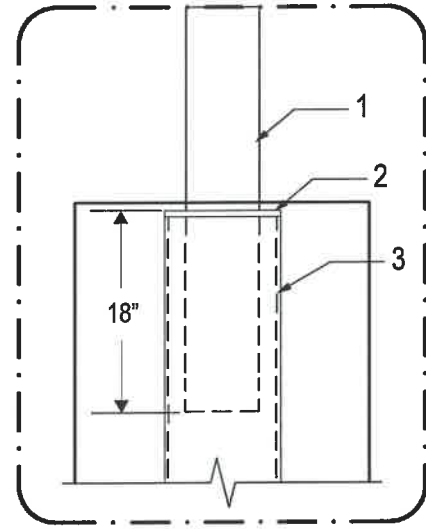
THIS DRAWING IS THE PROPERTY OF THOMAS SIGN & AWNING CO. INC. ALL RIGHTS TO IT'S USE FOR REPRODUCTION ARE RESERVED BY THOMAS SIGN & AWNING CO. INC., CLEARWATER, FL

CLIENT: PNC BANK
DESIGN NUMBER: P-50-H PYLON
REVISION REVISOR FABRICATION NOTES - DIA - 05/20/09
REVISION ADDED BASE PLATE & ANCHOR BOLTS - DIA - 05/21/09

DATE: 05/19/09
SHEET 1 OF 2
ARTIST: DIA
SALES REP: BH
STATE: X
CITY: X
INSTALLATION ADDRESS: X
REVISION: REVISOR LAMPING LAYOUT TO MATCH MONIGLE LAMPING LAYOUT - DIA - 06/08/09
DATE: X
REVISION: MOVED SLEEVE UP TO JUST BELOW CABINET ADDED SPECIFIC BASE PLATE DIMENSIONS. REVISED FOUNDATION - DIA - 06/24/09
DATE: X
REVISION: AS NOTED
DATE: X
REVISION: AND RESUBMIT
DATE: X

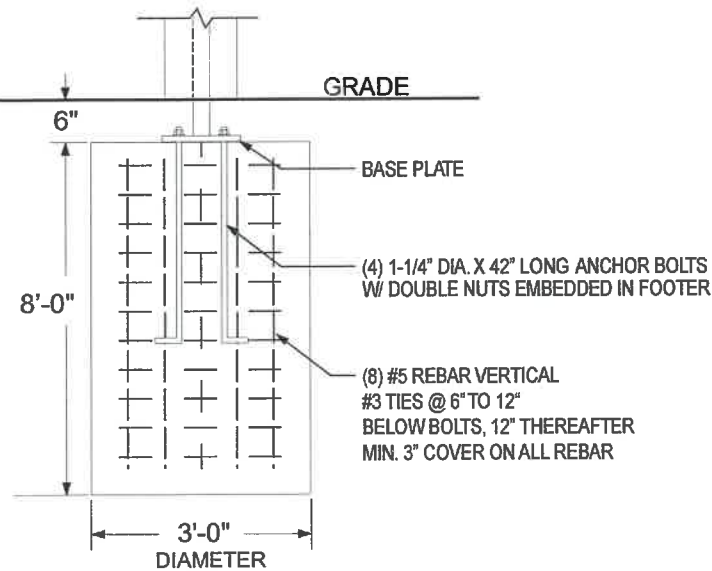
THOMAS
SIGN & AWNING COMPANY, INC.
4590 118TH AVENUE NORTH CLEARWATER, FL 33762
800-526-3325 • 727-573-7757 • FAX 727-573-0328

PNC BANK
801 NORTH PERRY
NAPOLEAN, OHIO



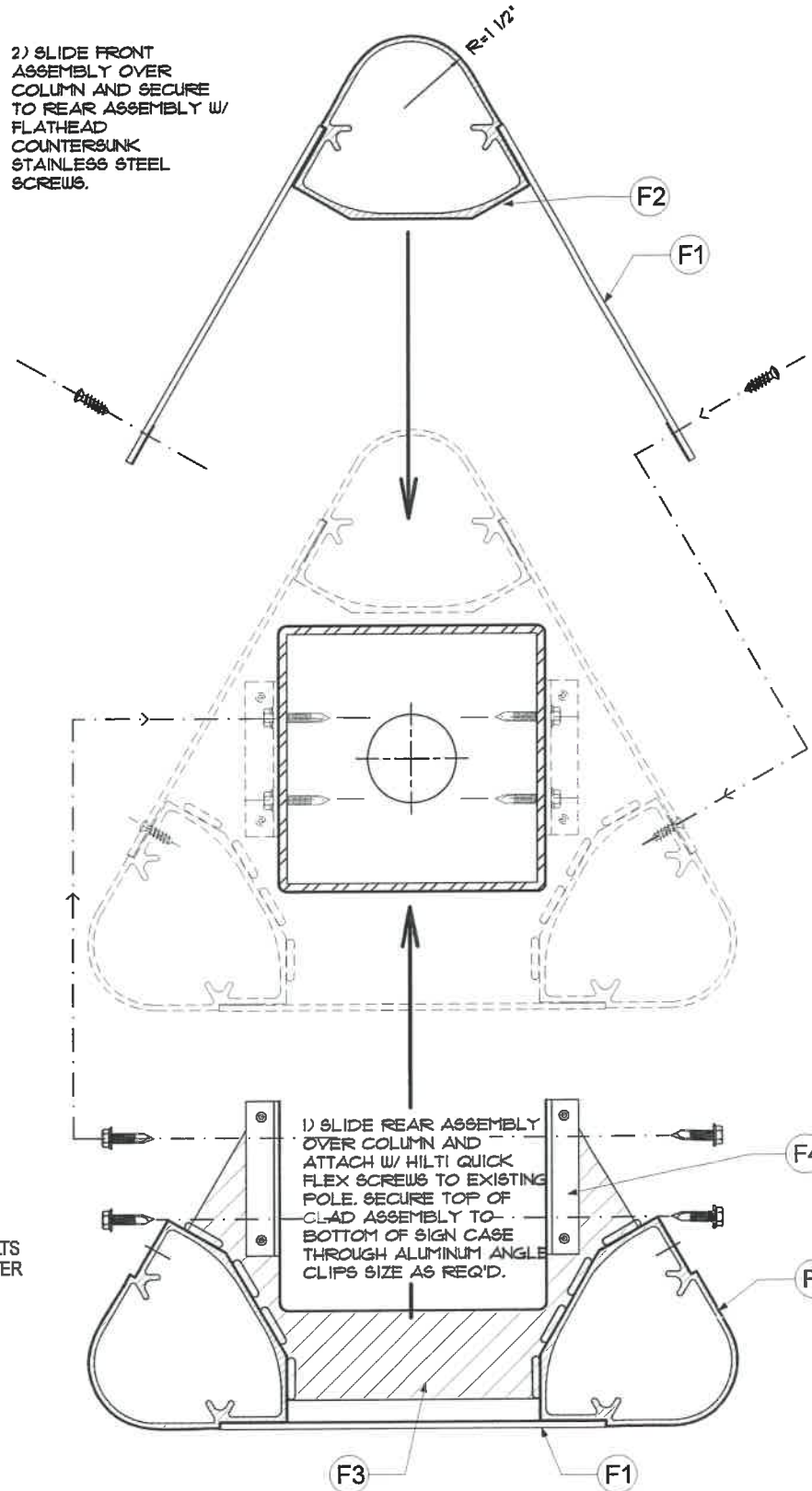
SLEEVE DETAIL

- 1) HSS 7" X 3" X 3/16" STEEL SLEEVE. 1" PLUG WELD AT BOTTOM EACH SIDE.
- 2) 1/2" THICK STEEL PLATE CAP.
- 3) HSS 8" X 8" X 3/8" STEEL SUPPORT COLUMN



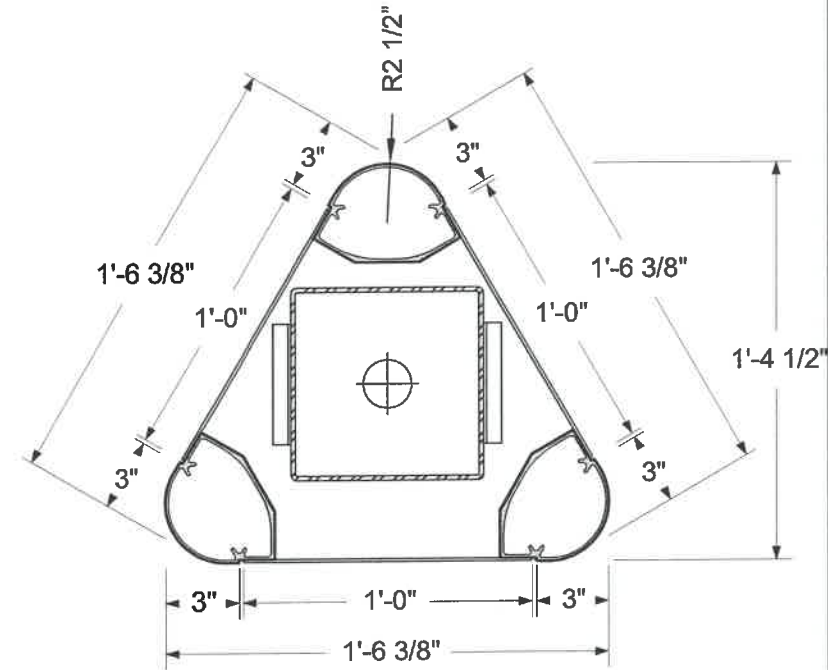
FOUNDATION DETAIL
SCALE: NTS

2) SLIDE FRONT ASSEMBLY OVER COLUMN AND SECURE TO REAR ASSEMBLY W/ FLATHEAD COUNTERSUNK STAINLESS STEEL SCREWS.



P-50-H PYLON CLADDING ASSEMBLY DETAIL
SCALE: NTS

- (F1) FABRICATION NOTES
- (P1) PAINT NOTES
- (V1) VINYL COLORS
- (E1) ELECTRICAL NOTES



SCALE: 1 1/2" = 1'-0"

MATERIALS NOTES:
ALL JOINTS TO BE WELDED ALL AROUND
GRADE A36 STEEL SHAPES
GRADE 6061-T6 ALUMINUM SHAPES
GRADE A500 B STEEL TUBE
GRADE F1554 GR 55 ANCHOR BOLTS
GRADE A325 FASTENER BOLTS
GRADE 60 KSI REBAR

FOUNDATION:
3000 PSI CONCRETE @ 28 DAYS
1500 PSI SOIL BEARING
100 PSF/LF SOIL LATERAL BEARING
UNDISTURBED SOIL

DESIGN PARAMETERS:
2007 OHIO BUILDING CODE
WIND SPEED DATA
1. BASIC WIND SPEED = 90 MPH (3 SEC. GUST)
2. WIND IMPORTANCE FACTOR 1.0
3. WIND EXPOSURE C
4. INTERNAL PRESSURE COEF. N/A
5. COMPONENT AND CLADDING N/A

TOTAL SQFT= 42.51'	
PART #	
ESTIMATE #	
FABRICATION NOTES	
<ol style="list-style-type: none"> 1) .125" ALUM. COLUMN CLADDING PAINT FINISH PNC SILVER METALLIC SATIN FINISH. VHB TAPE FOR PERMANENT ATTACHMENT TO EXTRUSIONS MECHANICALLY WITH COUNTERSUNK FLATHEAD STAINLESS STEEL SCREWS TO REMOVABLE EXTRUSION. SEE DETAIL. 2) SIGNCOMP MONOLITHIC EDGE RADIUS EDGED 60 DEGREE EXTRUSION. SIZE VARIES BY SIGN SIZE. SEE CALL OUTS. PAINT FINISH PNC SILVER METALLIC SATIN FINISH. 3) .25" ALUM. RIB FORM AS SHOWN. WELD TO EXTRUSIONS AT BACK OF CLADDING. ROUTE OPENING TO ALLOW FOR STEEL SUPPORT TUBE. SPACE AT 24" O.C. VERTICALLY WELD .125" ANGLES TO RIBS FOR MECHANICAL OR ATTACHMENT TO SUPPORT COLUMN. 4) 3/4"x3/4"x.125" ALUM. ANGLE(S) WELD TO .25" ALUM. RIBS. MECHANICALLY ATTACH TO STEEL COLUMN WITH HILTI QUICK FLEX SCREWS. 	
PAINT COLORS	
<ol style="list-style-type: none"> 1) BLUE MATTHEWS MP31479 2) LIGHT ENHANCEMENT MATTHEWS MP74200SP ZAP WHI 3) ORANGE MATTHEWS MP01229 4) SILVER METALLIC MATTHEWS MP18101 5) X 6) X 	
VINYL COLORS	
<ol style="list-style-type: none"> 1) ORANGE ARLON 2500-2919 2) WHITE ARLON 2500-20 3) LT BLUE ARLON 2500-2869 4) X 5) X 6) X 	
ELECTRICAL NOTES	
<ol style="list-style-type: none"> 1) F96T12DHO DAYLIGHT FLUORESCENT LAMPS (2) 2) ESB216-12 BALLAST (1) 3) DISCONNECT SWITCH 4) PHOTOCELL 5) X 	



THIS DRAWING IS THE PROPERTY OF THOMAS SIGN & AWNING CO. INC. ALL RIGHTS TO IT'S USE FOR REPRODUCTION ARE RESERVED BY THOMAS SIGN & AWNING CO. INC., CLEARWATER, FL.

CLIENT	PNC BANK
DESIGN NUMBER	P-50-H PYLON - CLADDING ASSEMBLY
REVISION	REVISED SLEEVE & CLADDING ASSEMBLY DETAILS, ADDED FOUNDATION DETAIL - DIA. - 06/23/09
REVISION #	

DATE	05/19/09
SHEET	2
OF	2
SALES REP	BH
APPROVED	
DATE	
APPROVED AS NOTED	
DATE	
REVISION AND REQUEST	

THOMAS SIGN & AWNING COMPANY, INC.
4590 118TH AVENUE NORTH CLEARWATER, FL 33762
800-526-3325 • 727-573-7757 • FAX 727-573-0328